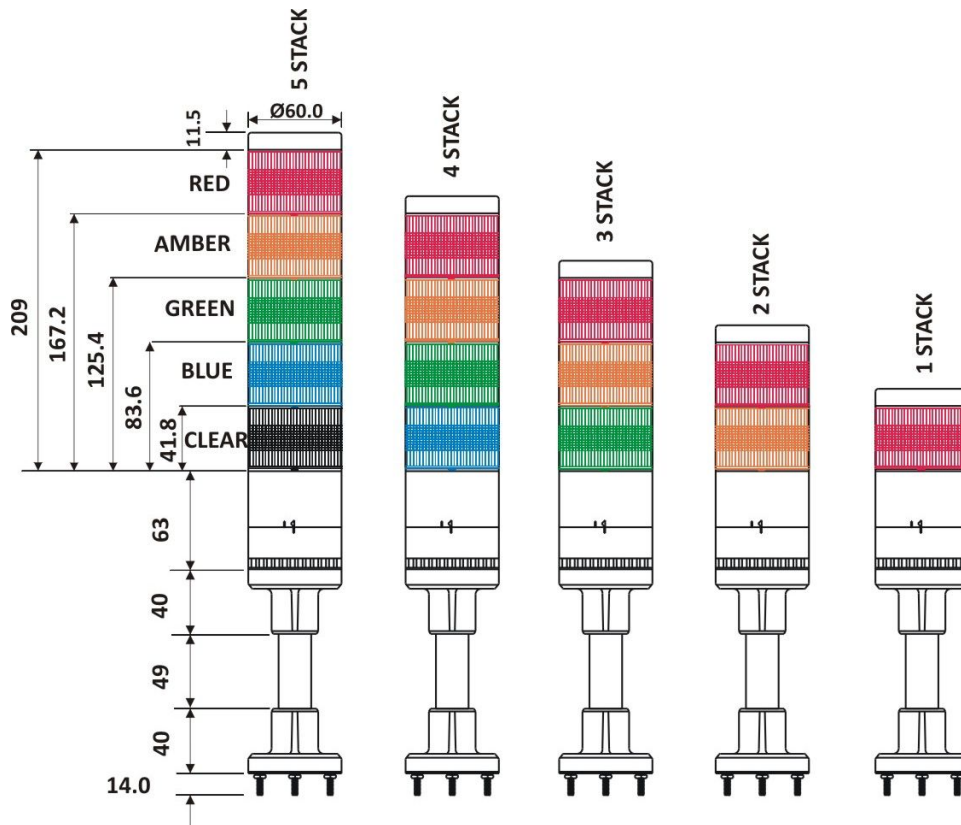


Item No.	TSP0000085D	Date	01.01.2017
		Revision	00
Description	Signal Tower Lamp - 220V AC , Steady/Flashing type with Base Mounting and Wire Termination	Page	1 of 3

All dimensions are in mm.



DIMENSIONAL DRAWING



Specifications are subject to change without notice.

Item No.	TSP0000085D	Date	01.01.2017
		Revision	00
Description	Signal Tower Lamp - 220V AC , Steady/Flashing type with Base Mounting and Wire Termination	Page	2 of 3

Table-1

220 V Signal Tower Lamp

Lamp Type	No.of Stacks	Stack Colour	Current Consumption	Termination Type	Katlax Article No.
Steady	1	Red	32 mA	Wire	TLBS-R-W3
Steady	2	Red, Amber	64 mA	Wire	TLBS-RA-W3
Steady	3	Red, Amber, Green	96 mA	Wire	TLBS-RAG-W3
Steady	4	Red, Amber, Green, Blue	128 mA	Wire	TLBS-RAGB-W3
Steady	5	Red, Amber, Green, Blue, Clear	160 mA	Wire	TLBS-RAGBC-W3
Flashing	1	Red	32 mA	Wire	TLBF-R-W3
Flashing	2	Red, Amber	64 mA	Wire	TLBF-RA-W3
Flashing	3	Red, Amber, Green	96 mA	Wire	TLBF-RAG-W3
Flashing	4	Red, Amber, Green, Blue	128 mA	Wire	TLBF-RAGB-W3
Flashing	5	Red, Amber, Green, Blue, Clear	160 mA	Wire	TLBF-RAGBC-W3

Table-2

TECHNICAL SPECIFICATIONS

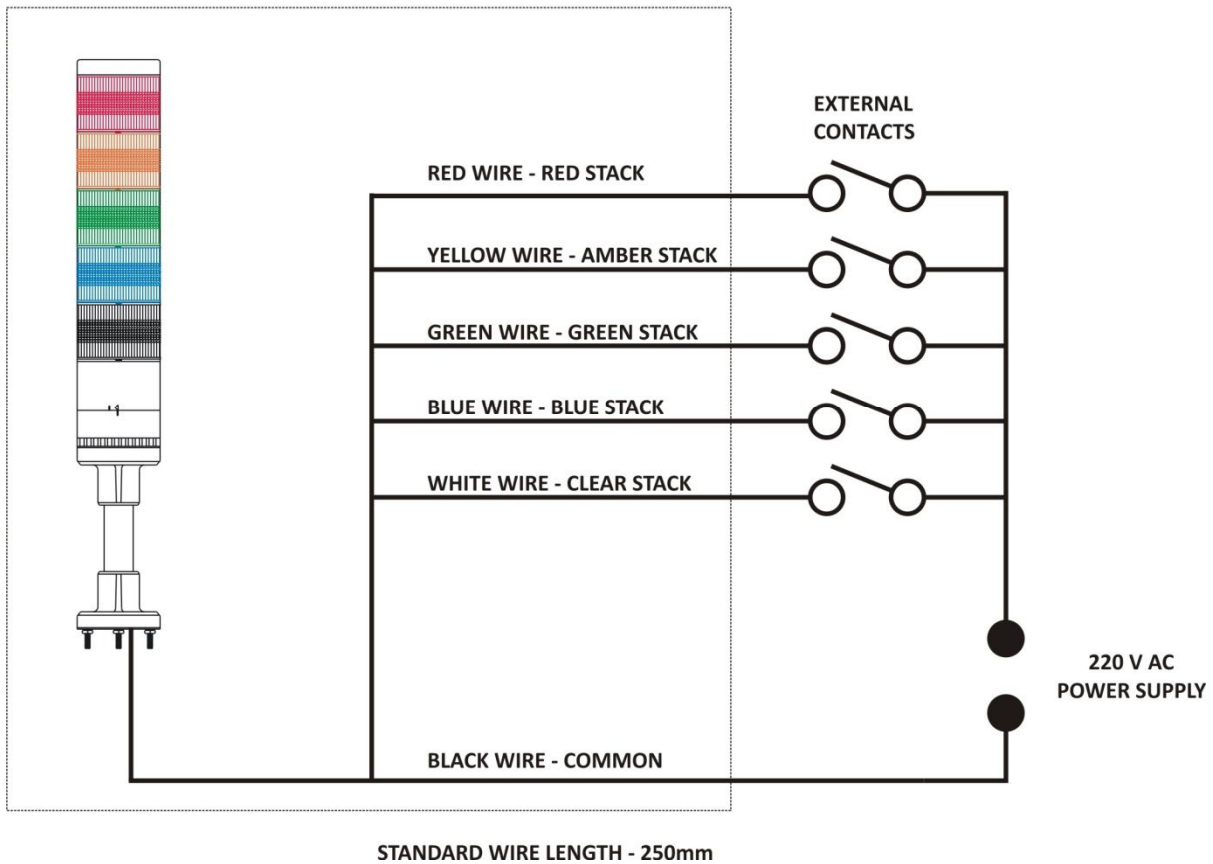
Operating Voltage	220 V AC
Body Colour	Off White
Lamp Type	Steady / Flashing
Lamp Colour	Red, Amber, Green, Blue, Clear
Termination	Through Wire
Wire Length	250 mm
Mounting	Base / Pedestal
Housing Material	Aluminium
Housing Size	(243, 285, 326, 368, 410)X60 mm
Operating Temperature	0°C....70°C
Environmental Protection	IP65 (Properly Mounted)



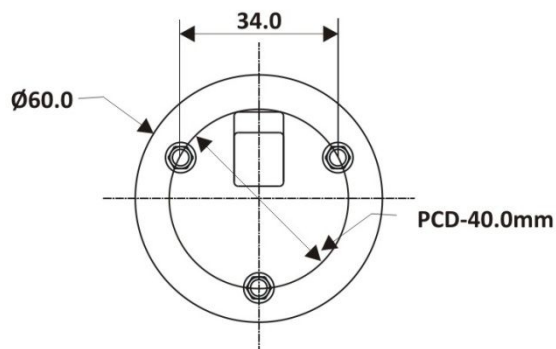
Specifications are subject to change without notice.

Item No.	TSP0000085D	Date	01.01.2017
		Revision	00
Description	Signal Tower Lamp - 220V AC , Steady/Flashing type with Base Mounting and Wire Termination	Page	3 of 3

CONNECTION DIAGRAM



MOUNTING DETAILS



Provided with 3 Nos. M4x16mm Bolts and Nuts.

Drill 3 Holes 4.5mm dia at PCD 40.0 mm for fixing.



Specifications are subject to change without notice.