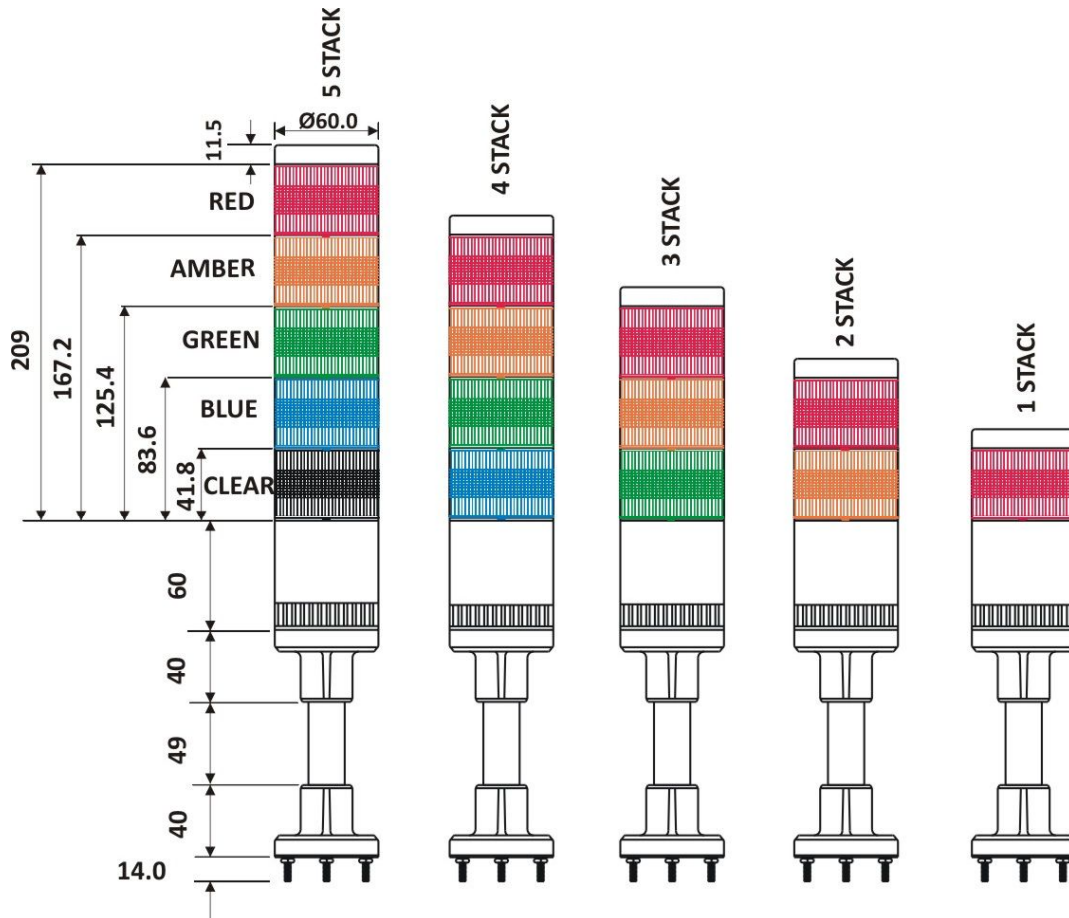


Item No.	TSP0000086D	Date	01.01.2017
		Revision	00
Description	Signal Tower Lamp - 220 VAC , Steady type with Buzzer, Base Mounting and Wire Termination	Page	1 of 3

All dimensions are in mm.



DIMENSIONAL DRAWING



Specifications are subject to change without notice.

Item No.	TSP0000086D	Date	01.01.2017
		Revision	00
Description	Signal Tower Lamp - 220 VAC , Steady type with Buzzer, Base Mounting and Wire Termination	Page	2 of 3

Table-1

220 V AC Signal Tower Lamp

Lamp Type	No.of Stacks	Stack Colour	Current Consumption	Termination Type	Katlux Article No.
Steady	1	Red	64 mA	Wire	TLBS-R-W3-BZR
Steady	2	Red, Amber	96 mA	Wire	TLBS-RA-W3-BZR
Steady	3	Red, Amber, Green	128 mA	Wire	TLBS-RAG-W3-BZR
Steady	4	Red, Amber, Green, Blue	160 mA	Wire	TLBS-RAGB-W3-BZR
Steady	5	Red, Amber, Green, Blue, Clear	192 mA	Wire	TLBS-RAGBC-W3-BZR
Flashing	1	Red	64 mA	Wire	TLBF-R-W3-BZR
Flashing	2	Red, Amber	96 mA	Wire	TLBF-RA-W3-BZR
Flashing	3	Red, Amber, Green	128 mA	Wire	TLBF-RAG-W3-BZR
Flashing	4	Red, Amber, Green, Blue	160 mA	Wire	TLBF-RAGB-W3-BZR
Flashing	5	Red, Amber, Green, Blue, Clear	192 mA	Wire	TLBF-RAGBC-W3-BZR

Table-2

TECHNICAL SPECIFICATIONS

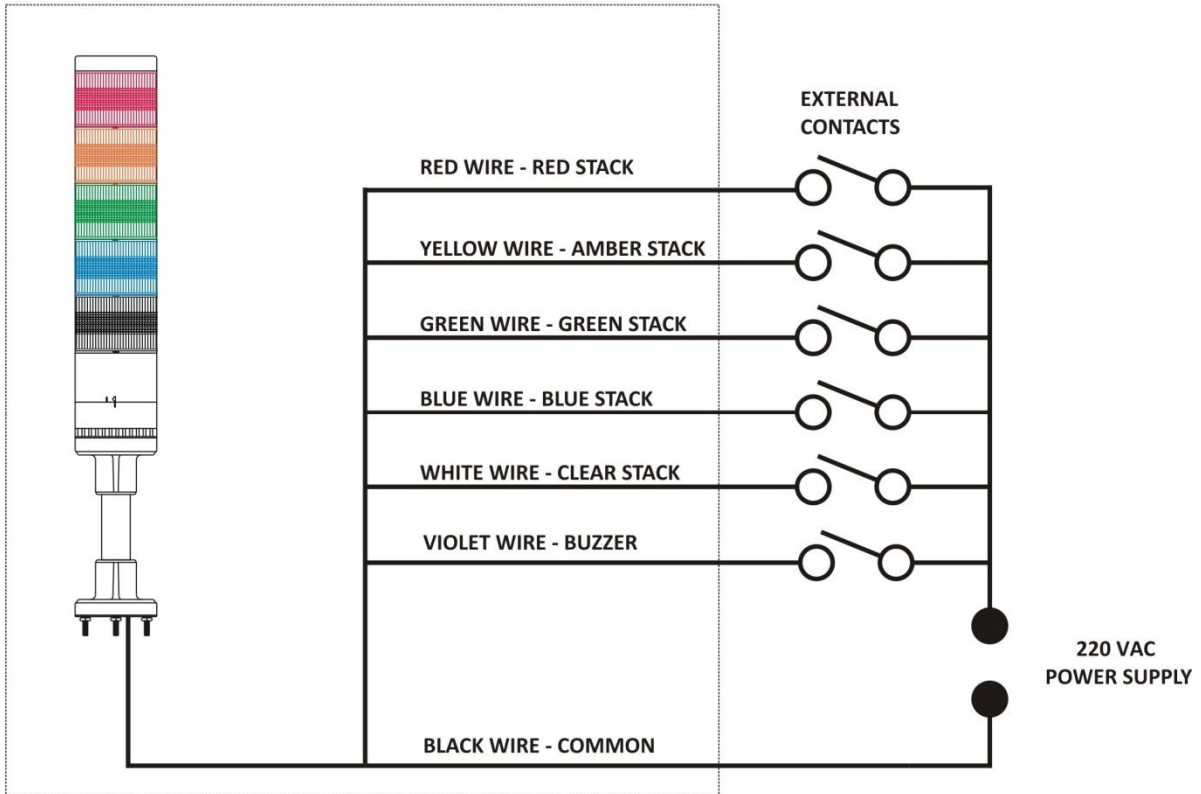
Operating Voltage	220 V AC
Body Colour	Off White
Lamp Type	Steady
Lamp Colour	Red, Amber, Green, Blue, Clear
Termination	Through Wire
Wire Length	250 mm
Mounting	Base / Pedestal
Housing Material	Aluminium
Housing Size	(240, 282, 323, 365, 407)X60 mm
Operating Temperature	0°C....70°C
Environmental Protection	IP65 (Properly Mounted)
Buzzer	90 dB at 30cm (Continuous type)



Specifications are subject to change without notice.

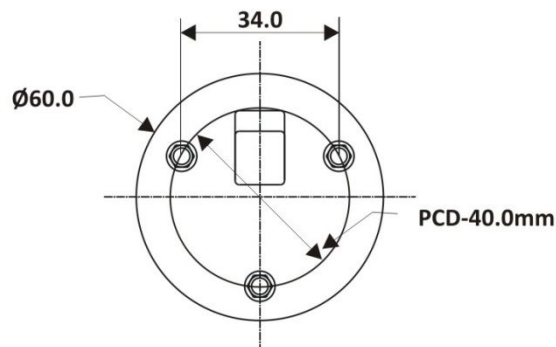
Item No.	TSP0000086D	Date	01.01.2017
		Revision	00
Description	Signal Tower Lamp - 220 VAC , Steady type with Buzzer, Base Mounting and Wire Termination	Page	3 of 3

CONNECTION DIAGRAM



STANDARD WIRE LENGTH - 250mm

MOUNTING DETAILS



Provided with 3 Nos. M4x16mm Bolts and Nuts.

Drill 3 Holes 4.5mm dia at PCD 40.0 mm for fixing.



Specifications are subject to change without notice.