

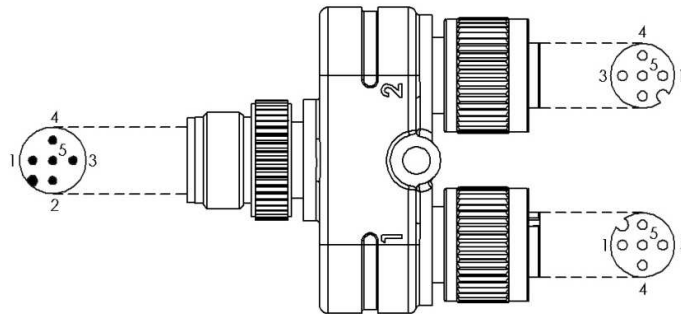
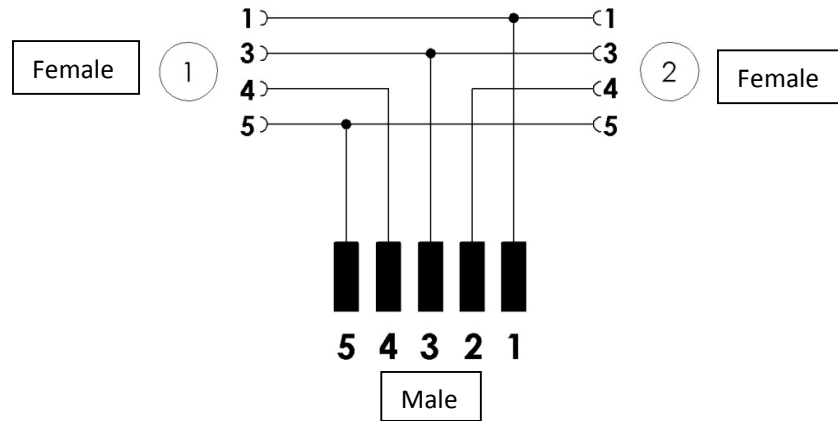
Technical Specification

| | I/P End | O/P 1 | O/P 2 |
|--------------------------|--------------------------|--------------------------------|--------------------------------|
| Connector | M12, Male | M12, Female | M12, Female |
| Rated Voltage | 60V | 250V | 250V |
| Coding | A | A | A |
| Number of pins | 5 | 4 | 4 |
| Current (at 40°C) | 4A | 4A | 4A |
| Contact material | CuZn, Ni/Au (Gold Flash) | CuZn, Ni/Au (Gold Flash) | CuZn, Ni/Au (Gold Flash) |
| Contact carrier material | Nylon 66 | Nylon 66 | Nylon 66 |
| Coupling nut material | CuZn, nickel plated | Zinc die-casted, nickel plated | Zinc die-casted, nickel plated |

| | |
|-----------------------|--------------------|
| Insulation resistance | $\geq 10^8 \Omega$ |
| Ambient temperature | -25°C...+85°C |
| Sealing material | Neoprene |
| Grip body material | TPU, Black |
| Shielding | No |
| Mechanical life-cycle | >100 mating cycles |
| Degree of protection | IP67 |
| Degree of pollution | 3 |
| Standards | IEC 61076-2-101 |

Specifications are subject to change without notice.

Electrical connection



Specifications are subject to change without notice.



Type Approved
Safety
Regular Production
Surveillance

www.tuv.com
ID 1111210483

