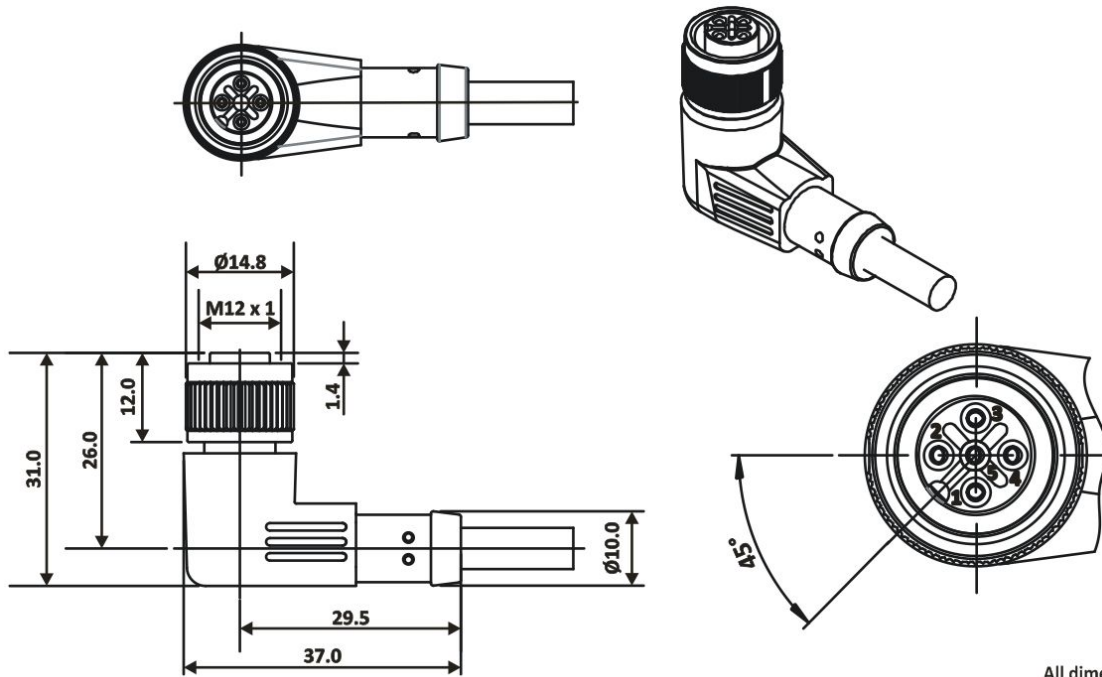


Item No.	TSP0000002D	Date	01.01.2017
		Revision	00
Description	Connectors M12x1, Pre-wired, Female/Socket, A-Coding, Straight and Right Angle Jacket	Page	1 of 8



All dimensions are in mm.

Table-1

M12x1 Pre-wired Socket, A-coding, Angled Jacket

Number of poles/ wires	Length m ¹⁾	Shielded	Connections	Conductor	Katlux Item No.
4/3	2	-	1,3,4	0.34mm ²	CBF12-R43N0-02BP34
4/3	2	-	1,3,4	0.34mm ²	CBF12-R43N0-02BPUR ³⁾
4/3	2	-	1,3,4	0.25mm ²	CBF12-R43N0-02BPVC
4/3	3	-	1,3,4	0.25mm ²	CBF12-R43N0-03BPVC
4/3	3	-	1,3,4	0.34mm ²	CBF12-R43N0-03OPUR ³⁾
4/3	5	-	1,3,4	0.34mm ²	CBF12-R43N0-05BP34
4/3	5	-	1,3,4	0.34mm ²	CBF12-R43N0-05BPUR ³⁾
4/3	5	-	1,3,4	0.25mm ²	CBF12-R43N0-05BPVC
4/3	10	-	1,3,4	0.25mm ²	CBF12-R43N0-10BPVC
4/3	12	-	1,3,4	0.34mm ²	CBF12-R43N0-12BP34
4/3	2	-	1,3,4	0.34mm ²	CBF12-R43N2-02BP34 ⁵⁾
4/3	2	-	1,3,4	0.25mm ²	CBF12-R43N2-02BPVC ⁵⁾
4/3	3	-	1,3,4	0.25mm ²	CBF12-R43N2-03BPVC ⁵⁾
4/3	5	-	1,3,4	0.25mm ²	CBF12-R43N2-05BPVC ⁵⁾
4/3	10	-	1,3,4	0.25mm ²	CBF12-R43N2-10BPVC ⁵⁾
4/3	10	-	1,3,4	0.25mm ²	CNF12-R43N0-10BPVC
4/3	5	X	1,3,4	0.34mm ²	CBF12-R43S0-05BPUR ^{2) 3)}



Type Approved
Safety
Regular Production
Surveillance



www.tuv.com
ID 1111210483



Specifications are subject to change without notice.

Item No.	TSP0000002D	Date	01.01.2017
		Revision	00
Description	Connectors M12x1, Pre-wired, Female/Socket, A-Coding, Straight and Right Angle Jacket	Page	2 of 8

4/3	15	X	1,3,4	0.34mm ²	CBF12-R43S0-15BPUR ²⁾³⁾
4/3	20	X	1,3,4	0.34mm ²	CBF12-R43S0-20BPUR ²⁾³⁾
4/4	2	-	1-4	0.25mm ²	CBF12-R44N0-02BP25
4/4	2	-	1-4	0.34mm ²	CBF12-R44N0-02BP34
4/4	2	-	1-4	0.34mm ²	CBF12-R44N0-02BPUR ³⁾
4/4	2	-	1-4	0.25mm ²	CBF12-R44N0-02BPVC
4/4	3	-	1-4	0.25mm ²	CBF12-R44N0-03BPVC
4/4	5	-	1-4	0.25mm ²	CBF12-R44N0-05BP25
4/4	5	-	1-4	0.34mm ²	CBF12-R44N0-05BPUR ³⁾
4/4	5	-	1-4	0.25mm ²	CBF12-R44N0-05BPVC
4/4	5	-	1-4	0.25mm ²	CBF12-R44N0-05GPVC ⁴⁾
4/4	10	-	1-4	0.25mm ²	CBF12-R44N0-10BPVC
4/4	10	-	1-4	0.25mm ²	CBF12-R44N0-10GPVC ⁴⁾
4/4	15	-	1-4	0.25mm ²	CBF12-R44N0-15BPVC
4/4	2.5	-	1-4	0.34mm ²	CBF12-R44N0-2.5OPUR ³⁾
4/4	20	-	1-4	0.25mm ²	CBF12-R44N0-20BPVC
4/4	27	-	1-4	0.25mm ²	CBF12-R44N0-27BPVC
4/4	27	-	1-4	0.25mm ²	CBF12-R44N0-27GPVC ⁴⁾
4/4	2	-	1-4	0.34mm ²	CBF12-R44N3-02BP34 ⁶⁾
4/4	2	-	1-4	0.25mm ²	CBF12-R44N3-02BPVC ⁶⁾
4/4	3	-	1-4	0.25mm ²	CBF12-R44N3-03BPVC ⁶⁾
4/4	5	-	1-4	0.34mm ²	CBF12-R44N3-05BPUR ³⁾
4/4	5	-	1-4	0.25mm ²	CBF12-R44N3-05BPVC ⁶⁾
4/4	5	-	1-4	0.25mm ²	CBF12-R44S0-05BPVC
4/4	2	-	1-4	0.25mm ²	CBFR12-R44N3-02BPVC-TR ⁸⁾
4/4	4	-	1-4	0.25mm ²	CBF12-R44S0-04BPVC
4/4	10	-	1-4	0.25mm ²	CBF12-R44S0-10BPVC
4/4	2	-	1-4	0.25mm ²	CBF12-R44S3-02BPVC
4/4	10	-	1-4	0.25mm ²	CBF12-R44S3-10BPVC
5/5	2	-	1-5	0.34mm ²	CBF12-R55N0-02BP34
5/5	2	-	1-5	0.34mm ²	CBF12-R55N0-02BPUR ³⁾
5/5	2	-	1-5	0.25mm ²	CBF12-R55N0-02BPVC
5/5	3	-	1-5	0.25mm ²	CBF12-R55N0-03BPVC
5/5	5	-	1-5	0.34mm ²	CBF12-R55N0-05BP34
5/5	5	-	1-5	0.25mm ²	CBF12-R55N0-05BPVC
5/5	10	-	1-5	0.25mm ²	CBF12-R55N0-10BPVC
5/5	7.5	-	1-5	0.25mm ²	CBF12-R55N0-7.5BPVC
5/5	5	X	1-5	0.25mm ²	CBF12-R55S0-05BPVC ²⁾
5/5	3	-	1-5	0.25mm ²	CBF12-R88N0-03GPVC ⁴⁾
5/5	5	-	1-5	0.25mm ²	CBF12-R88N0-05GPVC ⁴⁾



Type Approved
Safety
Regular Production
Surveillance



www.tuv.com
ID 1111210483



Specifications are subject to change without notice.

Item No.	TSP0000002D	Date	01.01.2017
		Revision	00
Description	Connectors M12x1, Pre-wired, Female/Socket, A-Coding, Straight and Right Angle Jacket	Page	3 of 8

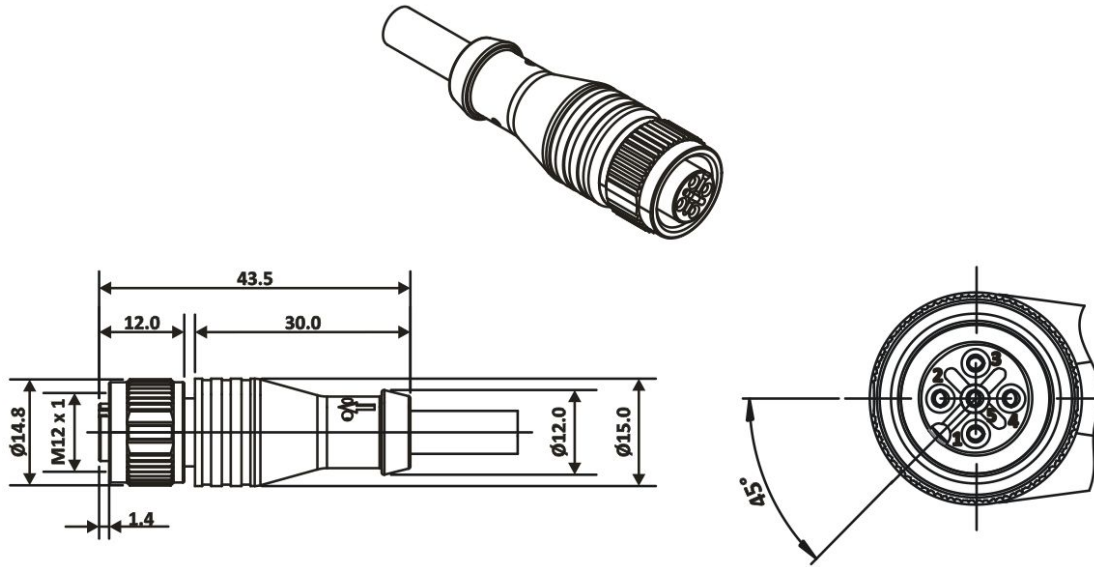
5/5	6	X	1-5	0.25mm ²	CBF12-R55S0-06BPVC ²⁾
5/5	10	X	1-5	0.25mm ²	CBF12-R55S0-10BPVC ²⁾
5/5	7.5	X	1-5	0.25mm ²	CBF12-R55S0-7.5BPVC ²⁾
8/8	2	-	1-8	0.25mm ²	CBF12-R88N0-02BPVC
8/8	3	-	1-8	0.25mm ²	CBF12-R88N0-03BPVC
8/8	4	-	1-8	0.25mm ²	CBF12-R88N0-04BPVC
8/8	5	-	1-8	0.25mm ²	CBF12-R88N0-05BPUR ³⁾
8/8	5	-	1-8	0.25mm ²	CBF12-R88N0-05BPVC
8/8	3	X	1-8	0.25mm ²	CBF12-R88S0-03BPUR ^{2) 3)}
8/8	4	X	1-8	0.25mm ²	CBF12-R88S0-04BPUR ^{2) 3)}
8/8	4	X	1-8	0.25mm ²	CBF12-R88S0-04BPVC ²⁾
8/8	5	X	1-8	0.25mm ²	CBF12-R88S0-05BPUR ^{2) 3)}
8/8	5	X	1-8	0.25mm ²	CBF12-R88S0-05BPVC ²⁾
8/8	10	X	1-8	0.25mm ²	CBF12-R88S0-10GPVC ^{2) 4)}
8/8	4.5	X	1-8	0.25mm ²	CBF12-R88S0-4.5BPUR ^{2) 3)}

- 1) Free length without socket housing.
- 2) Apply shield on the knurl nut.
- 3) Cable sheath material PUR.
- 4) Cable sheath colour Grey.
- 5) Orange jacket with 2 LED PNP.
- 6) Orange jacket with 3 LED PNP.
- 7) Transparent jacket with 2 LED PNP.
- 8) Transparent jacket with 3 LED PNP.



Specifications are subject to change without notice.

Item No.	TSP0000002D	Date	01.01.2017
		Revision	00
Description	Connectors M12x1, Pre-wired, Female/Socket, A-Coding, Straight and Right Angle Jacket	Page	4 of 8



All dimensions are in mm.

Table-2

M12x1 Pre-wired Socket, A-coding, Straight Jacket

Number of poles/ wires	Length m ¹⁾	Shielded	Connections	Conductor	Katlax Item No.
4/3	2	-	1,3,4	0.34mm ²	CBF12-S43N0-02BP34
4/3	2	-	1,3,4	0.34mm ²	CBF12-S43N0-02BPUR ³⁾
4/3	2	-	1,3,4	0.25mm ²	CBF12-S43N0-02BPVC
4/3	3	-	1,3,4	0.25mm ²	CBF12-S43N0-03BPVC
4/3	5	-	1,3,4	0.34mm ²	CBF12-S43N0-05BP34
4/3	5	-	1,3,4	0.25mm ²	CBF12-S43N0-05BPVC
4/3	6	-	1,3,4	0.25mm ²	CBF12-S43N0-06BPVC
4/3	8	-	1,3,4	0.25mm ²	CBF12-S43N0-08BPVC
4/3	10	-	1,3,4	0.25mm ²	CBF12-S43N0-10BPVC
4/3	15	-	1,3,4	0.25mm ²	CBF12-S43N0-15BPVC
4/3	5	X	1,3,4	0.5mm ²	CBF12-S43S0-05BPVC-T001 ²⁾
4/3	2	X	1,3,4	0.25mm ²	CBF12-S43S0-02BPVC ²⁾
4/3	5	X	1,3,4	0.25mm ²	CBF12-S43S0-05BPVC ²⁾
4/3	10	X	1,3,4	0.25mm ²	CBF12-S43S0-10BPVC ²⁾
4/3	35	-	1,3,4	0.25mm ²	CBF12-S43S0-35BPVC



Type Approved Safety Regular Production Surveillance

www.tuv.com ID 1111210483



Specifications are subject to change without notice.

Item No.	TSP0000002D	Date	01.01.2017
		Revision	00
Description	Connectors M12x1, Pre-wired, Female/Socket, A-Coding, Straight and Right Angle Jacket	Page	5 of 8

4/3	45	X	1,3,4	0.25mm ²	CBF12-S43S0-45BPVC ²⁾
4/4	0.3	-	1-4	0.25mm ²	CBF12-S44N0-0.3BPVC
4/4	2	-	1-4	0.25mm ²	CBF12-S44N0-02BP25
4/4	2	-	1-4	0.34mm ²	CBF12-S44N0-02BP34
4/4	2	-	1-4	0.34mm ²	CBF12-S44N0-02BPUR ³⁾
4/4	2	-	1-4	0.25mm ²	CBF12-S44N0-02BPVC
4/4	3	-	1-4	0.25mm ²	CBF12-S44N0-03BPVC
4/4	5	-	1-4	0.25mm ²	CBF12-S44N0-05BP25
4/4	5	-	1-4	0.34mm ²	CBF12-S44N0-05BPUR ³⁾
4/4	5	-	1-4	0.25mm ²	CBF12-S44N0-05BPVC
4/4	7	-	1-4	0.25mm ²	CBF12-S44N0-07BPVC
4/4	8	-	1-4	0.25mm ²	CBF12-S44N0-08BPVC
4/4	1.5	-	1-4	0.25mm ²	CBF12-S44N0-1.5BPVC
4/4	10	-	1-4	0.25mm ²	CBF12-S44N0-10BPVC
4/4	15	-	1-4	0.25mm ²	CBF12-S44N0-15BPVC
4/4	20	-	1-4	0.25mm ²	CBF12-S44N0-20BPVC
4/4	2	-	1-4	0.25mm ²	CBF12-S44N3-02BPVC
4/4	5	X	1-4	0.25mm ²	CBF12-S44S0-05BPVC ²⁾
4/4	1.5	X	1-4	0.25mm ²	CBF12-S44S0-1.5BPVC ²⁾
4/4	10	X	1-4	0.25mm ²	CBF12-S44S0-10BPVC ²⁾
4/4	2	X	1-4	0.25mm ²	CBF12-S44S0-02BPVC ²⁾
4/4	4	X	1-4	0.25mm ²	CBF12-S44S0-04BPVC ²⁾
4/4	3.5	X	1-4	0.25mm ²	CBF12-S44S0-3.5BPVC ²⁾
5/5	2	-	1-5	0.34mm ²	CBF12-S55N0-02BP34
5/5	2	-	1-5	0.34mm ²	CBF12-S55N0-02BPUR ³⁾
5/5	2	-	1-5	0.25mm ²	CBF12-S55N0-02BPVC
5/5	3	-	1-5	0.34mm ²	CBF12-S55N0-03BPUR ³⁾
5/5	3	-	1-5	0.25mm ²	CBF12-S55N0-03BPVC
5/5	5	-	1-5	0.34mm ²	CBF12-S55N0-05BP34
5/5	5	-	1-5	0.34mm ²	CBF12-S55N0-05BPUR ³⁾
5/5	5	-	1-5	0.25mm ²	CBF12-S55N0-05BPVC
5/5	5	-	1-5	0.25mm ²	CBF12-S55N0-05GPVC ⁴⁾
5/5	10	-	1-5	0.25mm ²	CBF12-S55N0-10BPVC
5/5	15	-	1-5	0.25mm ²	CBF12-S55N0-15BPVC
5/5	2	X	1-5	0.25mm ²	CBF12-S55S0-02BPVC ²⁾
5/5	4	X	1-5	0.25mm ²	CBF12-S55S0-04BPVC ²⁾
5/5	5	X	1-5	0.25mm ²	CBF12-S55S0-05BPVC ²⁾
5/5	6	X	1-5	0.25mm ²	CBF12-S55S0-06BPVC ²⁾
5/5	10	X	1-5	0.25mm ²	CBF12-S55S0-10BPVC ²⁾
5/5	6.5	X	1-5	0.25mm ²	CBF12-S55S0-6.5BPVC ²⁾



Type Approved
Safety
Regular Production
Surveillance



www.tuv.com
ID 1111210483



Specifications are subject to change without notice.

Item No.	TSP0000002D	Date	01.01.2017
		Revision	00
Description	Connectors M12x1, Pre-wired, Female/Socket, A-Coding, Straight and Right Angle Jacket	Page	6 of 8

8/8	2	-	1-8	0.25mm ²	CBF12-S88N0-02BP25
8/8	2	-	1-8	0.25mm ²	CBF12-S88N0-02BPVC
8/8	5	-	1-8	0.25mm ²	CBF12-S88N0-05BPUR ³⁾
8/8	5	-	1-8	0.25mm ²	CBF12-S88N0-05BPVC
8/8	2	X	1-8	0.25mm ²	CBF12-S88S0-02GPVC ^{2) 4)}
8/8	10	X	1-8	0.25mm ²	CBF12-S88S0-10BPUR ^{2) 3)}
8/8	3	X	1-8	0.25mm ²	CBF12-S88S0-03BPUR ^{2) 3)}
8/8	4	X	1-8	0.25mm ²	CBF12-S88S0-04BPVC ²⁾
8/8	5	X	1-8	0.25mm ²	CBF12-S88S0-05BPUR ^{2) 3)}
8/8	5	X	1-8	0.25mm ²	CBF12-S88S0-05GPVC ^{2) 4)}
8/8	6	X	1-8	0.25mm ²	CBF12-S88S0-06BPVC ²⁾
8/8	15	X	1-8	0.25mm ²	CBF12-S88S0-15BPUR ^{2) 3)}
8/8	4.5	X	1-8	0.25mm ²	CBF12-S88S0-4.5BPUR ^{2) 3)}

- 1) Free length without socket housing.
- 2) Apply shield on the knurl nut.
- 3) Cable sheath material PUR.
- 4) Cable sheath colour Grey.
- 5) Orange jacket with 2 LED PNP.
- 6) Orange jacket with 3 LED PNP.
- 7) Transparent jacket with 2 LED PNP.
- 8) Transparent jacket with 3 LED PNP.



Specifications are subject to change without notice.

Item No.	TSP0000002D	Date	01.01.2017
		Revision	00
Description	Connectors M12x1, Pre-wired, Female/Socket, A-Coding, Straight and Right Angle Jacket	Page	7 of 8

Table-3

Connection details

Contact / Pole	Pin / Colour (Continuously)	Contact / Pole	Pin / Colour (Continuously)	Contact / Pole	Pin / Colour (Continuously)	Contact / Pole	Pin / Colour (Continuously)
1	1 / Brown	1	1 / Brown	1	1 / Brown	1	1 / White
3	3 / Blue	2	2 / White	2	2 / White	2	2 / Brown
4	4 / Black	3	3 / Blue	3	3 / Blue	3	3 / Green
		4	4 / Black	4	4 / Black	4	4 / Yellow
				5	5 / Grey	5	5 / Grey
						6	6 / Pink
						7	7 / Blue
						8	8 / Red

1 BROWN
2 WHITE
3 BLUE
4 BLACK

1 BROWN
2 WHITE
3 BLUE
4 BLACK
5 GREY

1 WHITE
2 BROWN
3 GREEN
4 YELLOW
5 GREY
6 PINK
7 BLUE
8 RED

Table – 4

Cable length tolerance

≤0.3 m	+25 mm -0 mm
>0.3 m – 1.5 m	+50 mm -0 mm
>1.5 m – 3.0 m	+100 mm -0 mm
>3.0 m – 7.5 m	+150 mm -0 mm
>7.5 m	+5% -0%



Specifications are subject to change without notice.

Item No.	TSP0000002D	Date	01.01.2017
		Revision	00
Description	Connectors M12x1, Pre-wired, Female/Socket, A-Coding, Straight and Right Angle Jacket	Page	8 of 8

Execution	IEC / EN	
Locking	Screw with internal threads M12x1 and sealing (Neoprene) Locking nut material: Brass (CuZn), Nickel Plated or Zinc die-casted, Nickel Plated	
Jacket	PU (Polyurethane), Black colour standard	
Plug/Socket pin carrier	Nylon or PA (Polyamide)	
Encoding	A - Coding	
Pole/Cores	See Tables on Page 1 to 6	
Cable	3x0.25mm ² PVC Shielded/Unshielded 3x0.34mm ² PVC Unshielded 3x0.34mm ² PUR Shielded/Unshielded 4x0.25mm ² PVC Shielded/Unshielded 4x0.34mm ² PVC Shielded/Unshielded 4x0.34mm ² PUR Unshielded 5x0.34mm ² PVC Shielded/Unshielded 5x0.34mm ² PUR Unshielded	8x0.25mm ² PVC Shielded/Unshielded 8x0.25mm ² PUR Shielded 2x0.5mm ² PVC Unshielded 3x0.5mm ² PVC Shielded/Unshielded 4x0.5mm ² PVC Shielded/Unshielded 3x0.75mm ² PVC Unshielded 4x0.75mm ² PVC Unshielded
Braided shield / cover	Min. 80% 3x / 4x0.34mm ²	
Lead Shielding	Shield on the knurl nut	
Cable sheath	PVC or PUR, Black colour standard	
Cable length tolerance	See Table - 4	
Contact material	Socket: Brass (CuZn)	
Contact Surface	Gold flash	
Rated Voltage (IEC 60664-1)	3, 4 Poles 250 V AC/DC 5 Poles 60 V AC/DC 8 Poles 30 V AC/DC	
Current carrying capacity (IEC 60512-3-5d)	2 to 5 Poles = 4A 6 to 8 Poles = 2A	
Contact resistance (IEC 60512-2-2a)	As per manufacturer specification	
Insulation resistance (IEC 60512-2-3a)	As per manufacturer specification	
Mating cycles (IEC 60512-5-9a)	≥100	
Protection (IEC 60529)	IP67 (when plugged in)	
Pollution degree (IEC 60664-1)	3	
Test voltage (IEC 60664-1)	As per IEC/EN 61076-2-101	



Type Approved
Safety
Regular Production
Surveillance

www.tuv.com
ID 1111210483



Specifications are subject to change without notice.