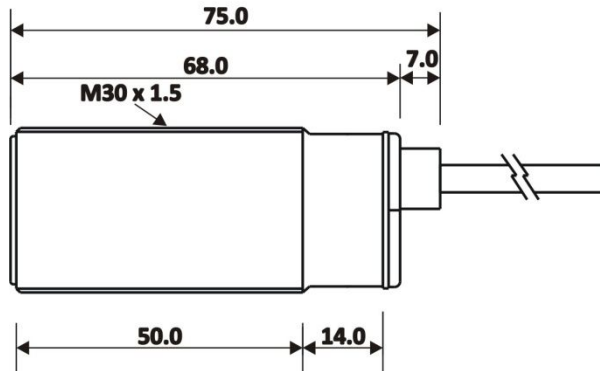


Item No.	TSP0000075D	Date	01.01.2017
		Revision	00
Description	M30, Inductive , ANALOG with Cable termination	Page	1 of 3

M30x1.5 Flush - Cable Type



All dimensions are in mm.

**Table-1**

M30x1.5 ANALOG

O/P Type	O/P Logic	Mounting	Sensing Distance(Sn)	Termination Type	Katlax Article No.
0-10 VDC	Analog Voltage	FLUSH	3 to 11 mm	CABLE	IBF11-30B6-AVW02
4-20 mA	Analog Current	FLUSH	3 to 11 mm	CABLE	IBF11-30B6-AIW02



Specifications are subject to change without notice.

Item No.	TSP0000075D	Date	01.01.2017
		Revision	00
Description	M30, Inductive , ANALOG with Cable termination	Page	2 of 3

**Table-2**

**TECHNICAL SPECIFICATIONS**

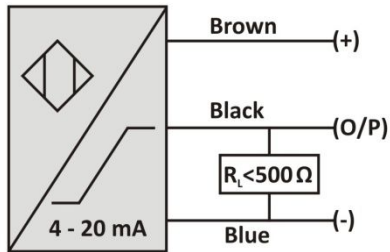
<b>Operating Voltage</b>	15-30 VDC	
<b>Sensing Distance (Sn)</b>	3 - 11 mm – Flush (Current type)	
	3 - 11 mm - Flush (Voltage type)	
<b>Repeatability</b>	0.02 mm	
<b>Standard target</b>	(30x30x1)mm Fe/St-37	
<b>Correction factor</b>	Mild Steel	1.00
	Stainless steel	0.80
	Brass	0.50
	Aluminum	0.45
	Copper	0.40
<b>Output Type</b>	0-10 VDC (Voltage type)	
	4-20 mA (Current type)	
<b>Ripple</b>	< 15%	
<b>No Load Current</b>	< 15 mA	
<b>Linearity</b>	3%	
<b>Switching Frequency</b>	300 Hz - Flush	
<b>Reverse Polarity Protection</b>	YES	
<b>Short Circuit Protection</b>	NO	
<b>Housing Material</b>	Brass(Ni Plated)	
<b>Sensing Face Material</b>	P.B.T.	
<b>Termination</b>	Cable (3 x 0.34 sqmm.) , 2 mtr (Shielded)	
<b>Temperature Range</b>	-25°C....75°C	
<b>Environmental Protection</b>	IP67	



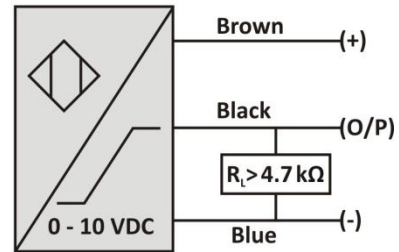
Specifications are subject to change without notice.

Item No.	TSP0000075D	Date	01.01.2017
		Revision	00
Description	M30, Inductive , ANALOG with Cable termination	Page	3 of 3

## Current - Analog



## Voltage - Analog



Specifications are subject to change without notice.