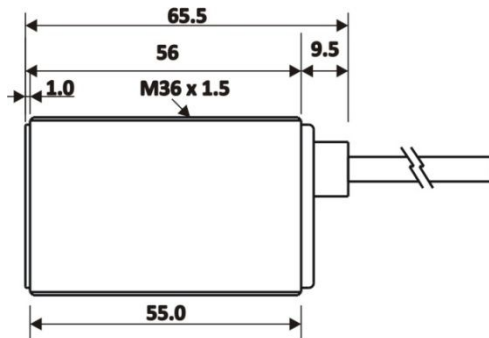
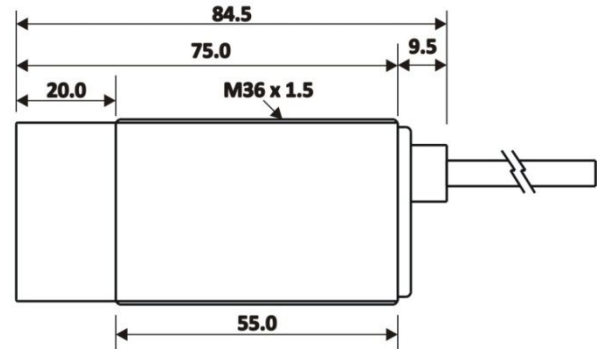


Item No.	TSP0000055D	Date	01.01.2017
		Revision	00
Description	M36, Inductive , DC 3-Wire with Cable termination	Page	1 of 3

M36x1.5 Flush - Cable Type



M36x1.5 Non Flush - Cable Type



All dimensions are in mm.

Table-1

M36x1.5 DC 3 WIRE

O/P Type	O/P Logic	Mounting	Sensing Distance(Sn)	Termination Type	Katlax Article No.
PNP	NO	FLUSH	15 mm	CABLE	IBF15-36B6-POW02
PNP	NO	NON FLUSH	20 mm	CABLE	IBN20-36B6-POW02
PNP	NC	FLUSH	15 mm	CABLE	IBF15-36B6-PCW02
PNP	NC	NON FLUSH	20 mm	CABLE	IBN20-36B6-PCW02
NPN	NO	FLUSH	15 mm	CABLE	IBF15-36B6-NOW02
NPN	NO	NON FLUSH	20 mm	CABLE	IBN20-36B6-NOW02
NPN	NC	FLUSH	15 mm	CABLE	IBF15-36B6-NCW02
NPN	NC	NON FLUSH	20 mm	CABLE	IBN20-36B6-NCW02



Specifications are subject to change without notice.

Item No.	TSP0000055D	Date	01.01.2017
		Revision	00
Description	M36, Inductive , DC 3-Wire with Cable termination	Page	2 of 3

Table-2

TECHNICAL SPECIFICATIONS

Operating Voltage	10-30 VDC	
Sensing Distance (Sn)	15.0 mm - Flush	
	20.0 mm - Non flush	
Hysteresis	3-15% of Sn	
Standard target	(36x36x1)mm Fe/St-37	
Correction factor	Mild Steel	1.00
	Stainless steel	0.80
	Brass	0.50
	Aluminum	0.45
	Copper	0.40
Ripple	< 15%	
Voltage Drop	< 1.5V DC	
No Load Current	< 15 mA	
Max. Load Current	200 mA	
Switching Frequency	300 Hz - Flush	
	200 Hz - Non Flush	
Reverse Polarity Protection	YES	
Short Circuit Protection	YES (Latch Type)	
Housing Material	Brass(Ni Plated)	
Sensing Face Material	P.B.T.	
Termination	Cable (3 x 0.34 sqmm.) , 2 mtr	
Temperature Range	-25°C....75°C	
Environmental Protection	IP67	



Specifications are subject to change without notice.

Item No.	TSP0000055D	Date	01.01.2017
		Revision	00
Description	M36, Inductive , DC 3-Wire with Cable termination	Page	3 of 3

PNP Cable type



NPN Cable type



Specifications are subject to change without notice.