

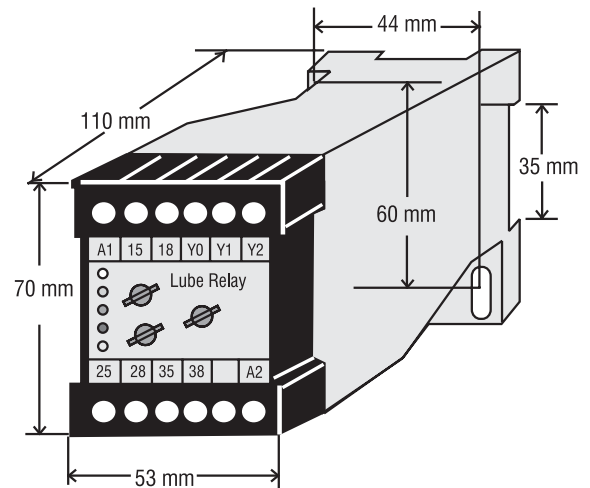
LUBE RELAY UNIT

ELECTRICAL DATA:

1. SUPPLY VOLTAGE 230VAC +/-15%
2. POWER CONSUMPTION 4VA.

Control Circuit:

3. LUBE ON TIME 1 TO 10 SEC. adjustable
4. LUBE OFF TIME 1 TO 60 MIN. adjustable.
5. FALL SAFE MONITORING TIME 1 TO 10 SEC. adjustable.
6. NUMBER OF OUTPUTS THREE
 - OUTPUT1 @ 15-18 LUBE PUMP ON CONTACT
 - OUTPUT2 @ 25-28 LUBE FAIL ALARM CONTACT
 - OUTPUT3 @ 35-38 LUB. OIL LEVEL LOW ALARM CONTACT



Outputs

7. OUTPUT CONTACTS 5A @ RESISTIVE LOAD

MECHANICAL DATA:

8. HOUSING ABS PLASTIC ENCLOSURE DESIGNED FOR **IP 54** WITH TERMINAL COVER
8. MOUNTING PANEL MOUNTING PROVISION ON 35mm RAIL AS PER **DIN STANDARD 50022** OR WITH HOLES FOR SCREW FIXING
9. TERMINATION TERMINAL COMPARTMENT FOR MAXIMUM CROSS-SECTIONAL AREA=1X 2.5 Sq.mm.

ORDERING CODE:

TYPE

PRA230LBRXX3C5A

230VAC/3 NO CONTACTS

CONNECTION DETAILS:

- | | |
|---------|---|
| A1 - A2 | SUPPLY VOLTAGE |
| Y0-Y1 | LEVEL SWITCH OPENING ON LOW OIL LEVEL |
| Y0- Y2 | PRESSURE SWITCH CLOSING ON RATED PRESSURE |
| 15-18 | LUBRICATION PUMP ON CONTACT |
| 25-28 | LUBRICATION PUMP FAIL CONTACT |
| 35-38 | LUB. OIL LEVEL LOW ALARM CONTACT. |



Specifications are subject to change without notice.