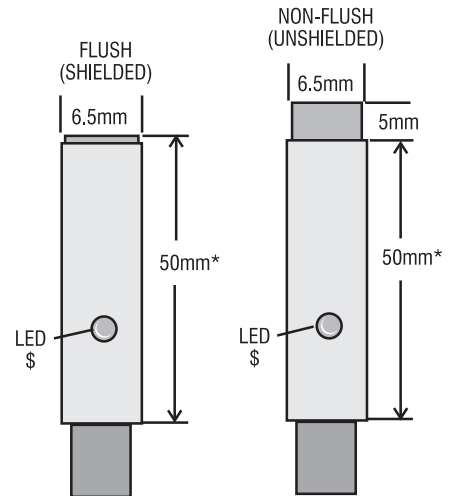


6.5MM NON-THREADED TYPE DC INDUCTIVE PROXIMITY SWITCH/SENSOR

1.5mm/2mm
FLUSH / NONFLUSH

OPERATIONAL DATA :

1. MOUNTING IN METAL	FLUSH / NON-FLUSH
2. SENSING DISTANCE with Fe/ST37-8mm x 8mmx1mm	1.5mm(FLUSH) 2mm(NON-FLUSH)
3. HYSTERESIS	3% TO 15%
4. REPEATABILITY	0.01mm
5. TEMPERATURE DRIFT	< 10%
6. AMB. TEMP. RANGE	0 DEG.C. TO 70 DEG.C.



ELECTRICAL DATA:

7. OPERATING VOLTAGE	10 V TO 30 VDC
8. CURRENT CONSUMPTION	< 20 mA
9. DROPOUT VOLTAGE	< 1V @ max load current
10. SWITCHING FREQUENCY	3 KHz
11. LOAD CURRENT (MAXIMUM)	200mA

ORDERING CODE: TYPE

PSIBB65PAFOCB02RS	PNP/NO/200mA/FLUSH
PSIBB65PAFCCB02RS	PNP/NC/200mA/FLUSH
PSIBB65PANOCB02RS	PNP/NO/200mA/NONFLUSH
PSIBB65PANCCB02RS	PNP/NC/200mA/NONFLUSH
PSIBB65NAFOCB02RS	NPN/NO/ 200mA/FLUSH
PSIBB65NAFCCB02RS	NPN/NC/ 200mA/FLUSH
PSIBB65NANOCB02RS	NPN/NO/200mA/NONFLUSH
PSIBB65NANCCB02RS	NPN/NC/200mA/NONFLUSH

MECHANICAL DATA:

12. HOUSING	DIA 6.5mm NON-THREADED BRASS BARREL NI-CHROME PLATED
13. MOUNTING	WITH RUBBER/PVC CLAMP
14. TERMINATION	Cu CABLE PVC INSULATED 3X0.34 Sq.mm.

**\$ LED along barrel length or
backside as per requirement**

*** please contact factory for
different barrel lengths.**

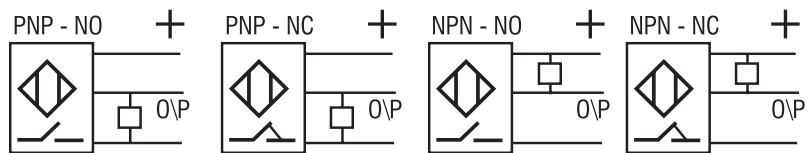
**Barrel dia 6.5 mm. & not 65 mm.
to satisfy ordering code**

PROTECTION FEATURES:

15. ENVIRONMENTAL	IP67 (tested & certified by CMRI, Dhanbad.)
16. POLARITY REVERSAL	YES
17. OUTPUT	SHORT CIRCUIT NOT PROVIDED

CONNECTION DETAILS:

BROWN	+V
BLACK	OUTPUT
BLUE	0 V



Specifications are subject to change without notice.