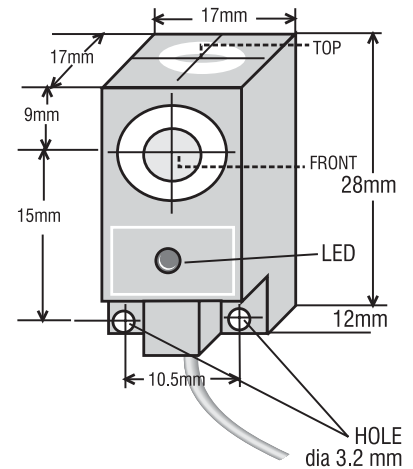


18 BLOCK TYPE DC INDUCTIVE PROXIMITY SWITCH / SENSOR

**5mm
SHIELDED**

OPERATIONAL DATA:

- | | |
|--|-----------------------|
| 1. MOUNTING IN METAL | SHIELDED |
| 2. SENSING DISTANCE
with Fe/ST37 - PLATE
SIZE 18X18X1 mm | 5mm |
| 3. HYSTERESIS | 3% TO 15% |
| 4. REPEATABILITY | 0.01mm |
| 5. TEMPERATURE DRIFT | <10% |
| 6. AMB. TEMP. RANGE | 0 DEG.C. TO 70 DEG.C. |



ELECTRICAL DATA:

- | | |
|----------------------------|------------------------|
| 7. OPERATING VOLTAGE | 10 V TO 30 VDC |
| 8. CURRENT CONSUMPTION | <20 mA |
| 9. DROPOUT VOLTAGE | <1V @ max load current |
| 10. SWITCHING FREQUENCY | 800 Hz |
| 11. LOAD CURRENT (MAXIMUM) | 200 mA |

ORDERING CODE: TYPE

- | | |
|-------------------|--------------------|
| PSIBL18PAFOCB02RS | PNP/200mA/Front/NO |
| PSIBL18PAFCCB02RS | PNP/200mA/Front/NC |
| PSIBL18NAFOCB02RS | NPN/200mA/Front/NO |
| PSIBL18NAFCCB02RS | NPN/200mA/Front/NC |
| PSIBL18PATOCB02RS | PNP/200mA/Top/NO |
| PSIBL18PATCCB02RS | PNP/200mA/Top/NC |
| PSIBL18NATOCB02RS | NPN/200mA/Top/NO |
| PSIBL18NATCCB02RS | NPN/200mA/Top/NC |

MECHANICAL DATA:

- | | |
|-----------------|--|
| 12. HOUSING | ABS ENCLOSURE
17mmX17mmX28mm |
| 13. MOUNTING | Dia 3.2mm PAIR OF
HOLES 10.5mm PCD
FOR WALL MOUNTING |
| 14. TERMINATION | Cu CABLE PVC INSULATED 3X0.34 Sq.mm. |

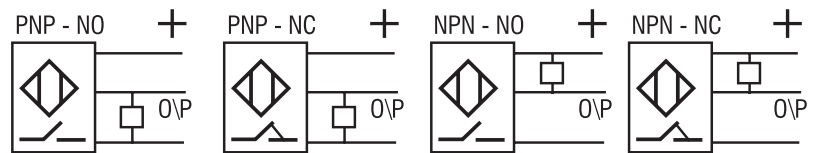
\$. Cable length = 2m (Contact Factory for different cable length.)

PROTECTION FEATURES:

- | | |
|-----------------------|----------------------------------|
| 15. ENVIRONMENTAL | IP67 |
| 16. POLARITY REVERSAL | YES |
| 17. OUTPUT | AGAINST INDEFINITE SHORT CIRCUIT |

CONNECTION DETAILS:

- | | |
|-------|--------|
| BROWN | +V |
| BLACK | OUTPUT |
| BLUE | 0 V |



Specifications are subject to change without notice.