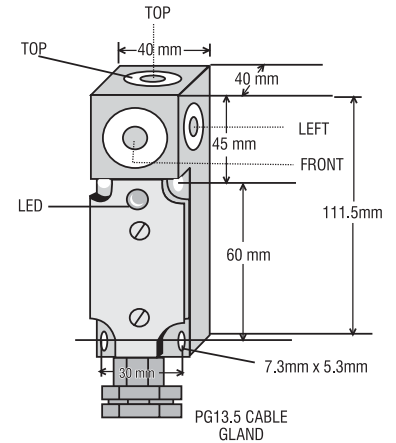


40BLOCK TYPE DC INDUCTIVE PROXIMITY SWITCH/SENSOR (LIMIT SWITCH STYLE)

**15mm
SHIELDED**

OPERATIONAL DATA:

1. INSTALLATION IN METAL	SHIELDED
2. SENSING DISTANCE with Fe-ST37 SIZE 40X40X1 mm	15mm
3. HYSTERESIS	3% TO 15%
4. REPEATABILITY	0.01mm
5. TEMPERATURE DRIFT	< 10%
6. AMB. TEMP. RANGE	0 DEG.C. TO 70 DEG.C.



ELECTRICAL DATA:

7. OPERATING VOLTAGE	10 V TO 30 VDC
8. CURRENT CONSUMPTION	< 20 mA
9. DROPOUT VOLTAGE	< 1V @ max load current
10. SWITCHING FREQUENCY	400 Hz
11. LOAD CURRENT (MAXIMUM)	400 mA
12. OUTPUT TYPE	PNP OR NPN Complimentary, NO + NC

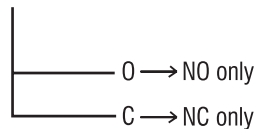
ORDERING CODE:

TYPE

PSIBL40PBTDCB02RS	PNP/400mA/TOP/NO + NC
PSIBL40PBFDCB02RS	PNP/400mA/FRONT/NO + NC
PSIBL40PBLDCB02RS	PNP/400mA/LEFT/NO + NC
PSIBL40PBRDCB02RS	PNP/400mA/RIGHT/NO + NC
PSIBL40NBTDCB02RS	NPN/400mA/TOP/NO + NC
PSIBL40NBFDCB02RS	NPN/400mA/FRONT/NO + NC
PSIBL40NBLDCB02RS	NPN/400mA/LFT/NO + NC
PSIBL40NBRDCB02RS	NPN/400mA/RIGHT/NO + NC

MECHANICAL DATA:

13. HOUSING	ABS PLASTIC BODY DESIGNED TO DIN EN50025 SIZE 111.5X40X40 mm
14. MOUNTING	Dia 5.3mm FOUR THRU HOLES FOR WALL MOUNTING
15. TERMINATION	SCREW TERMINALS with COMPARTMENT SIZE 1X2.5Sq.mm



\$\$ Universal Model with Adjustable Multi-Axes Sensing

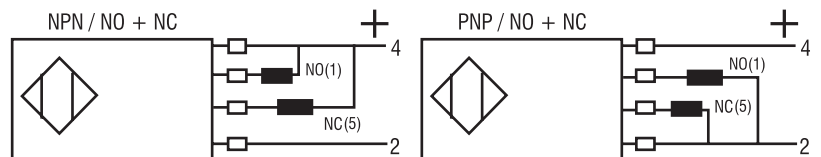
PROTECTION FEATURES:

16. ENVIRONMENTAL	IP65
16. POLARITY REVERSAL	YES
17. OUTPUT	AGAINST INDEFINITE SHORT CIRCUIT



CONNECTION DETAILS:

(1)	NO
(2)	0V
(4)	+V
(5)	NC



Specifications are subject to change without notice.