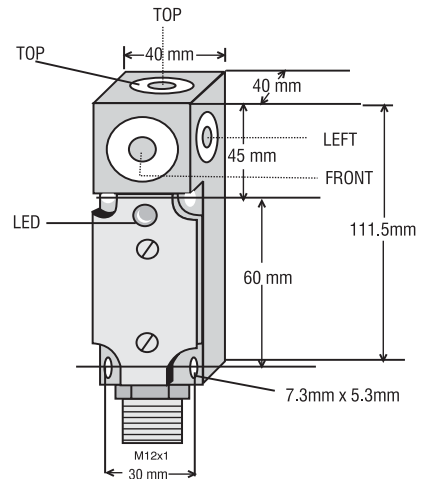


40 BLOCK TYPE DC INDUCTIVE PROXIMITY SWITCH/SENSOR(LIMIT SWITCH STYLE)

15mm SHIELDED

OPERATIONAL DATA

1. MOUNTING IN METAL	SHIELDED
2. SENSING DISTANCE With Fe/ST - 40mmX40mmX1mm	15mm
3. HYSTERESIS	3 % TO 15 %
4. REPEATABILITY	0.01 mm
5. TEMPERATURE DRIFT	<10%
6. AMB. TEMP. RANGE	0 DEG. TO 70 DEG. C.

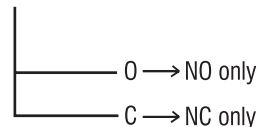


ELECTRICAL DATA:

7. OPERATING VOLTAGE	10 V TO 30 VDC
8. CURRENT CONSUMPTION	<20 mA
9. DROPOUT VOLTAGE	<1V @ max load current
10. SWITCHING FREQUENCY	400 Hz
11. LOAD CURRENT (MAXIMUM)	400 mA
12. OUTPUT TYPE	PNP OR NPN complimentary, NO + NC

ORDERING CODE: TYPE

PSIBL40PBTDCN12RS	PNP/400mA/TOP/NO + NC
PSIBL40PBFDCN12RS	PNP/400mA/FRONT/NO + NC
PSIBL40PBLDCN12RS	PNP/400mA/LEFT/NO + NC
PSIBL40PBRDCN12RS	PNP/400mA/RIGHT/NO + NC
PSIBL40NBTDCN12RS	NPN/400mA/TOP/NO + NC
PSIBL40NBFDCN12RS	NPN/400mA/FRONT/NO + NC
PSIBL40NBLDCN12RS	NPN/400mA/LEFT/NO + NC
PSIBL40NBRDCN12RS	NPN/400mA/RIGHT/NO + NC



MECHANICAL DATA:

13. HOUSING	ABS PLASTIC BODY DESIGNED TO DIN EN50025 Size 111.5X40X40 mm
14. MOUNTING	Dia. 5.3mm FOUR THRU HOLES FOR WALL MOUNTING
15. TERMINATION	M12 Plug Connector

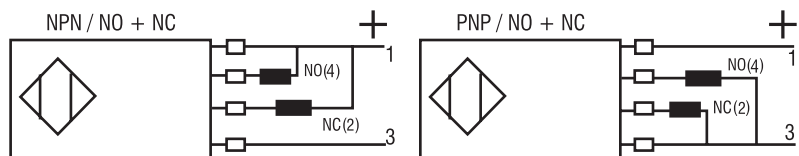
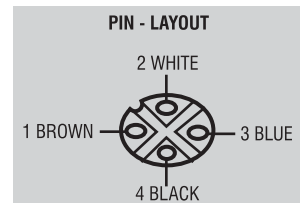


PROTECTION FEATURES:

16. ENVIRONMENTAL	IP65
17. POLARITY REVERSAL	YES
18. OUTPUT	AGAINST INDEFINITE SHORT CIRCUIT

CONNECTION DETAILS:

PIN NO OF MALE CONNECTOR	COLOUR CODE
1 (+Ve)	BROWN
2 (NC)	WHITE
3 (-Ve)	BLUE
4 (NO)	BLACK



Specifications are subject to change without notice.