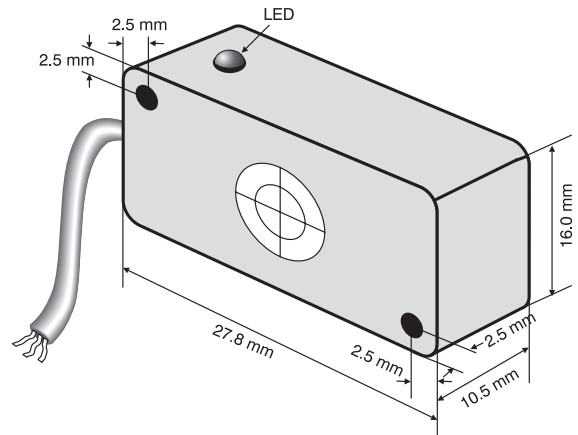


**MICROSWITCH TYPE DC  
INDUCTIVE PROXIMITY SWITCH / SENSOR**

**2mm  
SHIELDED**

**OPERATIONAL DATA :**

1. MOUNTING IN METAL	SHIELDED
2. SENSING DISTANCE with Fe-ST37 PLATE	2mm
3. HYSTERESIS	3 % TO 15 %
4. REPEATABILITY	0.01 mm
5. TEMPERATURE DRIFT	< 10 %
6. AMB. TEMP. RANGE	0 DEG. C TO 70 DEG. C.



**ELECTRICAL DATA:**

7. OPERATING VOLTAGE	10V TO 30V DC
8. CURRENT CONSUMPTION	< 20 mA
9. DROPOUT VOLTAGE	< 1V @ max. load current
10. SWITCHING FREQUENCY	1 KHz
11. LOAD CURRENT (MAXIMUM)	200 mA

**ORDERING CODE: TYPE**

PSIMS12PAFOCB02RS	PNP/NO/Front/ 200mA/2mm
PSIMS12PATOCB02RS	PNP/NO/Top/200mA/2mm
PSIMS12PAROCB02RS	PNP/NO/Right/200mA/2mm
PSIMS12PALOCB02RS	PNP/NO/Left/200mA/2mm
PSIMS12NAFOCB02RS	NPN/NO/Front/200mA/2mm
PSIMS12NATOCB02RS	NPN/NO/Top/200mA/2mm
PSIMS12NAROCB02RS	NPN/NO/Right/200mA/2mm
PSIMS12NALOCB02RS	NPN/NO/Left/200mA/2mm

**MECHANICAL DATA:**

12. HOUSING	ABS ENCLOSURE SIZE 27.8mm X 16mm X 10.5mm
13. MOUNTING	Dia 3.2mm PAIR OF DIAGONALLY PLACED HOLES
14. TERMINATION	Cu CABLE PVC INSULATED 3 X 0.34 Sq. mm.

**PROTECTION FEATURE:**

15. ENVIRONMENTAL	<b>IP 67</b> (tested and certified by CMRI, Dhanbad)
16. POLARITY REVERSAL	YES
17. OUTPUT	AGAINST INDEFINITE SHORT CIRCUIT

**CONNECTION DETAILS:**

BROWN	+ V
BLACK	OUTPUT
BLUE	0 V



# Recommended for the application subject to manufacturer's change time to time

\*\* please contact factory for different barrel lengths

Specifications are subject to change without notice.

