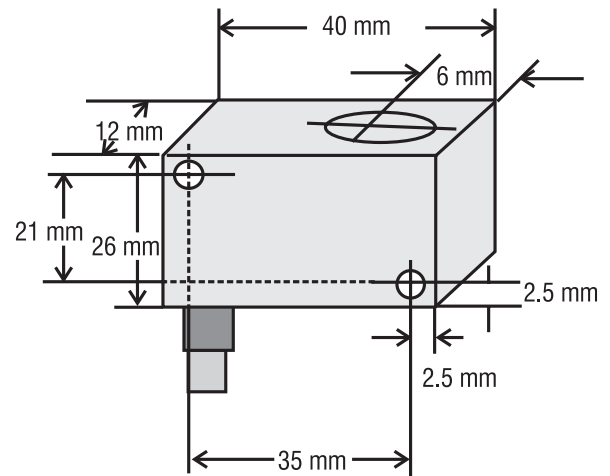


12FLAT TYPE DC INDUCTIVE PROXIMITY SWITCH / SENSOR

**4mm
UNSHIELDED**

OPERATIONAL DATA:

1. INSTALLATION IN METAL	UNSHIELDED
2. SENSING DISTANCE WITH Fe ST37 - 12 mm x 12 mm x 1 mm	4mm (NON-FLUSH)
3. HYSTERESIS	3% TO 15%
4. REPEATABILITY	0.01mm
5. TEMPERATURE DRIFT	< 10%
6. AMB. TEMP. RANGE	0 DEG.C. TO 70 DEG.C.



ELECTRICAL DATA:

7. OPERATING VOLTAGE	10 V TO 30 VDC
8. CURRENT CONSUMPTION	< 20 mA
9. DROPOUT VOLTAGE	< 1V @ max load current
10. SWITCHING FREQUENCY	1.5 KHz
11. LOAD CURRENT (MAXIMUM)	200 mA

ORDERING CODE: TYPE

PSIFT12PANOCB02RS	PNP/200mA/NONFLUSH/NO
PSIFT12PANCCB02RS	PNP/200mA/NONFLUSH/NC
PSIFT12NANOCB02RS	NPN/200mA/NONFLUSH/NO
PSIFT12NANCCB02RS	NPN/200mA/NONFLUSH/NC

MECHANICAL DATA:

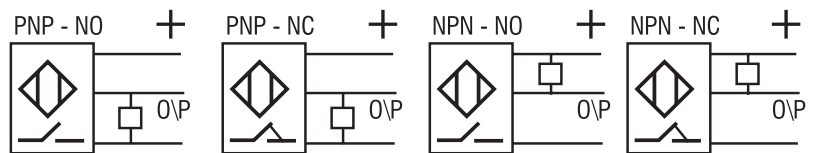
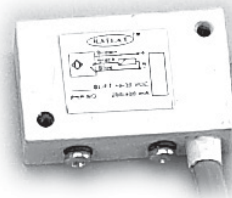
12. HOUSING	ABS ENCLOSURE 40X26X12mm
13. MOUNTING	Dia 3.2mm PAIR OF DIGONALLY PLACED HOLES
14. TERMINATION	Cu CABLE PVC INSULATED 3X0.34 Sq.mm.

PROTECTION FEATURES:

15. ENVIRONMENTAL	IP67
16. POLARITY REVERSAL	YES
17. OUTPUT	AGAINST INDEFINITE SHORT CIRCUIT

CONNECTION DETAILS:

BROWN	+V
BLACK	OUTPUT
BLUE	OV



Specifications are subject to change without notice.