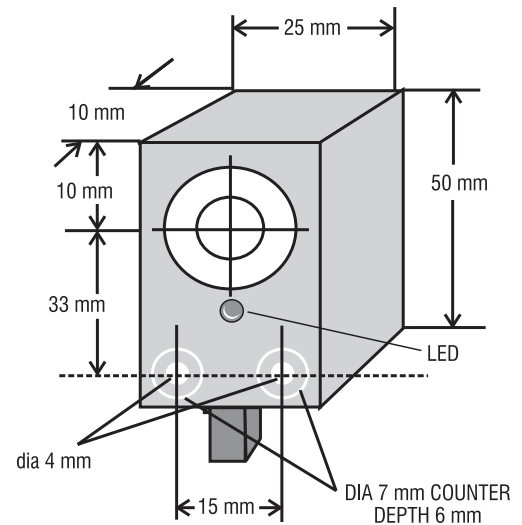


18FLAT TYPE DC INDUCTIVE PROXIMITY SWITCH / SENSOR

**5mm
SHIELDED**

OPERATIONAL DATA:

- | | |
|--|-----------------------|
| 1. MOUNTING IN METAL | SHIELDED |
| 2. SENSING DISTANCE
with Fe-ST37 PLATE
SIZE 18X18X1 mm | 5mm |
| 3. HYSTERESIS | 3% TO 15% |
| 4. REPEATABILITY | 0.01mm |
| 5. TEMPERATURE DRIFT | < 10% |
| 6. AMB. TEMP. RANGE | 0 DEG.C. TO 70 DEG.C. |



ELECTRICAL DATA:

- | | |
|----------------------------|-------------------------|
| 7. OPERATING VOLTAGE | 10V TO 30 VDC |
| 8. CURRENT CONSUMPTION | < 20 mA |
| 9. DROPOUT VOLTAGE | < 1V @ max load current |
| 10. SWITCHING FREQUENCY | 1 KHz |
| 11. LOAD CURRENT (MAXIMUM) | 200 mA |

ORDERING CODE:

TYPE

- | | |
|-------------------|--------------------|
| PSIFT18PAFOCB02RS | PNP/NO/200mA/FLUSH |
| PSIFT18PAFCCB02RS | PNP/NC/200mA/FLUSH |
| PSIFT18NAFOCB02RS | NPN/NO/200mA/FLUSH |
| PSIFT18NAFCCB02RS | NPN/NC/200mA/FLUSH |

MECHANICAL DATA:

- | | |
|-----------------|--|
| 12. HOUSING | ABS ENCLOSURE
SIZE 50mmX25mmX10mm |
| 13. MOUNTING | Dia 4mm PAIR OF HOLES 15mm
APART FOR SCREW MOUNTING |
| 14. TERMINATION | Cu CABLE PVC INSULATED
3X0.34 sq.mm with LUGS |

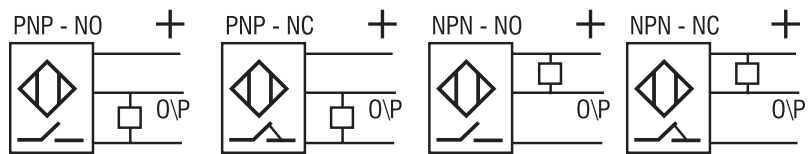


PROTECTION FEATURES:

- | | |
|-----------------------|----------------------------------|
| 15. ENVIRONMENTAL | IP67 |
| 16. POLARITY REVERSAL | YES |
| 17. OUTPUT | AGAINST INDEFINITE SHORT CIRCUIT |

CONNECTION DETAILS:

- | | |
|-------|--------|
| BROWN | +V |
| BLACK | OUTPUT |
| BLUE | 0 V |



Specifications are subject to change without notice.