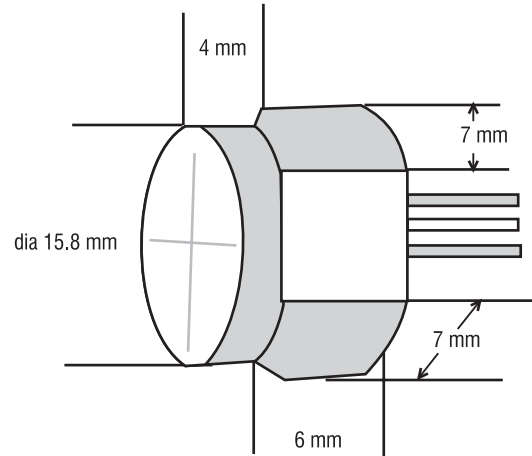


MINICYLINDER TYPE DC INDUCTIVE PROXIMITY SWITCH/SENSOR

**5mm
SHIELDED**

OPERATIONAL DATA:

- | | |
|--|-----------------------|
| 1. MOUNTING IN METAL | SHIELDED |
| 2. SENSING DISTANCE
with Fe-ST37 PLATE
SIZE 18X18X1 mm | 5mm |
| 3. HYSTERESIS | 3% TO 15% |
| 4. REPEATABILITY | 0.01mm |
| 5. TEMPERATURE DRIFT | <10% |
| 6. AMB. TEMP. RANGE | 0 DEG.C. TO 70 DEG.C. |



ELECTRICAL DATA:

- | | |
|----------------------------|------------------------|
| 7. OPERATING VOLTAGE | 10V30V DC |
| 8. CURRENT CONSUMPTION | <20mA |
| 9. DROPOUT VOLTAGE | <1V @ max load current |
| 10. SWITCHING FREQUENCY | 1 KHz |
| 11. LOAD CURRENT (MAXIMUM) | 100 mA |

ORDERING CODE: TYPE

- | | |
|-------------------|----------------|
| PSICY18PDFOCB05RS | PNP/100mA //NO |
| PSICY18PDFCCB05RS | PNP/100mA //NC |
| PSICY18NDFOCB05RS | NPN/100mA //NO |
| PSICY18NDFCCB05RS | NPN/100mA //NC |

MECHANICAL DATA:

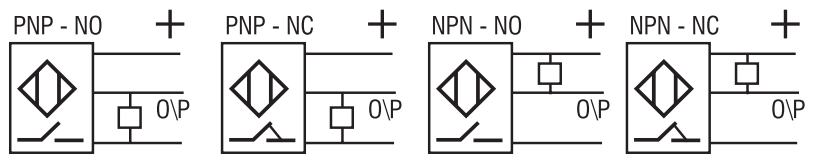
- | | |
|-----------------|---|
| 12. HOUSING | ABS ENCLOSURE DIA 18mm X 10mm |
| 13. MOUNTING | WITH CLAMP FOR FLUSH MOUNTING
IN 4mm THICK METALIC WALL |
| 14. TERMINATION | Cu PVC INSULATED WIRE LEADS
3 X 0.34 Sq.. mm LENGTH=0.5m |

PROTECTION FEATURES:

- | | |
|-----------------------|-------------|
| 15. ENVIRONMENTAL | IP67 |
| 16. POLARITY REVERSAL | YES |

CONNECTION DETAILS:

- | | |
|-------|--------|
| BROWN | +V |
| BLACK | OUTPUT |
| BLUE | OV |



Specifications are subject to change without notice.