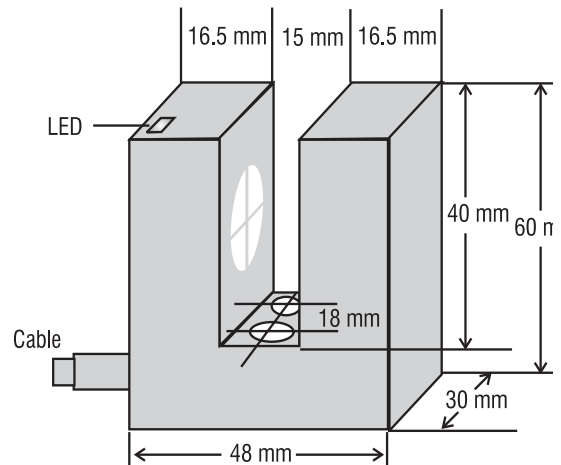


30SLOT TYPE DC INDUCTIVE PROXIMITY SWITCH/SENSOR

**15mm
SLOT-WIDTH**

OPERATIONAL DATA:

1. MOUNTING IN METAL	NON-FLUSH
2. DIMENSION OF SLOT	15mmX40mm
3. SWITCHING POINT with Fe-ST37 PLATE (30X30X1)mm.	60% Insertion Depth
4. HYSTERESIS	3% TO 15%
5. REPEATABILITY	0.01mm
6. TEMPERATURE DRIFT	< 10%
7. AMB. TEMP. RANGE	0 DEG.C. TO 70 DEG.C.



ELECTRICAL DATA:

8. OPERATING VOLTAGE	10 V TO 30 VDC
9. CURRENT CONSUMPTION	< 20 mA
10. DROPOUT VOLTAGE	< 1V @ max load current
11. SWITCHING FREQUENCY	400 Hz
12. LOAD CURRENT (MAXIMUM)	200mA / 400mA

ORDERING CODE : TYPE

PSIST30PANOCB02RS	PNP/200mA/NONFLUSH/NO
PSIST30PANCCB02RS	PNP/200mA/NONFLUSH/NC
PSIST30NANOCB02RS	NPN/200mA/NONFLUSH/NO
PSIST30NANCCB02RS	NPN/200mA/NONFLUSH/NC
PSIST30PBNOCB02RS	PNP//400mA/NONFLUSH/NO
PSIST30PBNCCB02RS	PNP/400mA/NONFLUSH/NC
PSIST30NBNOCB02RS	NPN/400mA/NONFLUSH/NO
PSIST30NBNCCB02RS	NPN/400mA/NONFLUSH/NC

MECHANICAL DATA:

13. HOUSING	ABS PLASTIC BODY SIZE 60mmX30mmX48mm.
14. MOUNTING	Dia.6mm PAIR OF HOLES FOR WALL MOUNTING 18mm APART
15. TERMINATION	Cu CABLE PVC INSULATED 3X0.75 sq.mm-2m LENGTH

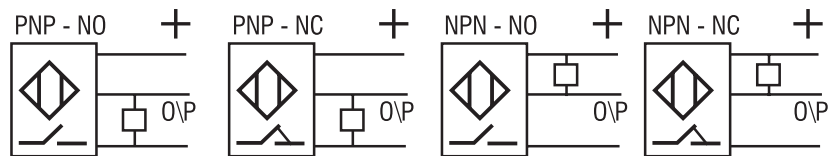


PROTECTION FEATURES:

16. ENVIRONMENTAL	IP67 (tested & certified by CMRI, Dhanbad.)
17. POLARITY REVERSAL	YES
18. OUTPUT	AGAINST INDEFINITE SHORT CIRCUIT

CONNECTION DETAILS:

BROWN	+V
BLACK	OUTPUT
BLUE	0 V



Specifications are subject to change without notice.