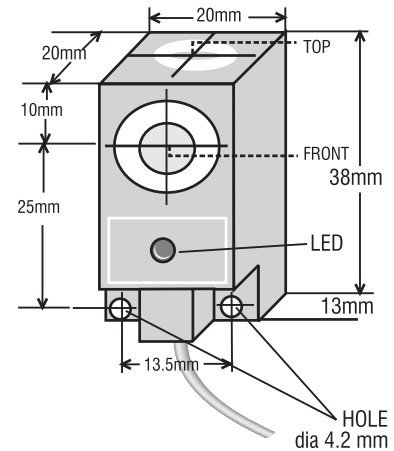


22 BLOCK TYPE DC INDUCTIVE NAMUR PROXIMITY SWITCH/SENSOR

8mm
SHIELDED

OPERATIONAL DATA

- | | |
|--|----------------------|
| 1. MOUNTING IN METAL | SHIELDED |
| 2. SENSING DISTANCE
With Fe/ST -
22mm X 22mm X 1mm | 8 mm |
| 3. HYSTERESIS | 3 % TO 15 % |
| 4. REPEATABILITY | 0.01 mm |
| 5. TEMPERATURE DRIFT | <10% |
| 6. AMB. TEMP. RANGE | 0 DEG. TO 70 DEG. C. |



ELECTRICAL DATA:

- | | | |
|----------------------------|--|---------------------------|
| 7. NAMUR OPERATIONAL DATA | @ V _b = 8.2 V,
@ TEMP = 20 DEG. C.
DIN 19324/ IS 5780 - 1980
Gr. I,IIA,IIB,IIC | Sensing Distance =
8mm |
| 8. OPERATING VOLTAGE RANGE | 5V TO 15V ; R _L = 1Kohm
12V TO 24V ; R _L = 2 Kohm | |
| 9. RIPPLE | < 10% | |
| 10. CURRENT CONSUMPTION | <= 1 mAACTIVE FACE DAMPED
>= 4 mA..... ACTIVE FACE UNDAMPED
10 mA..... MAXIMUM | |
| 11. SWITCHING FREQUENCY | 3 KHz | |

ORDERING CODE: TYPE

- | | |
|-------------------|----------------------|
| PSIBL22NRFOCB02RS | 22 BLOCK/NAMUR/FRONT |
| PSIBL22NRTOCB02RS | 22 BLOCK/NAMUR/TOP |
| PSIBL22NRROCB02RS | 22 BLOCK/NAMUR/RIGHT |
| PSIBL22NRLOCB02RS | 22 BLOCK/NAMUR/LEFT |

MECHANICAL DATA:

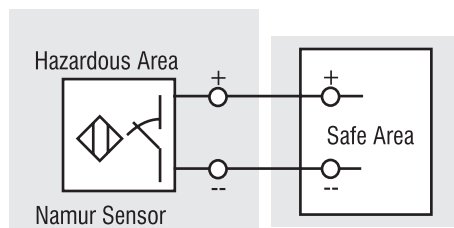
- | | |
|-----------------|--|
| 12. HOUSING | ABS ENCLOSURE 20mm X 20mm X 38mm |
| 13. MOUNTING | Dia. 4.2mm PAIR OF HOLES 13.5 PCD
FOR WALL MOUNTING |
| 14. TERMINATION | Cu CABLE PVC INSULATED 2 X 0.34 Sq. mm |

PROTECTION FEATURES:

- | | |
|-------------------|---|
| 15. ENVIRONMENTAL | IP67 (tested and certified by CMRI, Dhanbad) |
|-------------------|---|

CONNECTION DETAILS:

- | | |
|-------|-----|
| BROWN | + V |
| BLUE | 0 V |



Certified for Intrinsically Safe area application as per Indian Standard IS 5780-1980 Gr I,IIA, IIB, IIC, equivalent to DIN 19234 / EN 50020 by CMRI, Dhanbad.



Specifications are subject to change without notice.