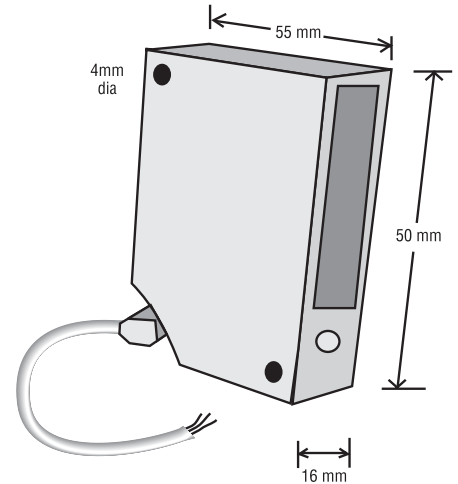
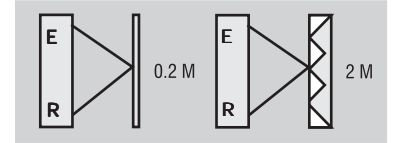


## BLOCK TYPE REFLEX OPTICAL SENSORS / SWITCHES

### OPERATIONAL DATA:

1. FUNCTION	RETROREFLECTIVE REFLECTION DIFFUSED REFLECTION
2. SENSING RANGE	2M.....RETROREFLECTIVE MODE 0.2M.....DIFFUSION MODE
3. OUTPUT	PNP/NPN NO OR NC
4. INDICATION	LED FOR OUTPUT ON
5. AMB. TEMP. RANGE	0 DEG.C. TO 70 DEG.C.



### ELECTRICAL DATA:

6. OPERATING VOLTAGE	10 V TO 30 VDC
7. CURRENT CONSUMPTION	<= 50mA
8. DROPOUT VOLTAGE	<2V @ max load current
9. SWITCHING FREQUENCY	100 Hz
10. LOAD CURRENT (MAXIMUM)	200mA

### ORDERING CODE: TYPE

PSPBL18PARXCB02RS	PNP /200mA/REFLEX/NO OR NC
PSPBL18NARXCB02RS	NPN/200mA/REFLEX/NO OR NC

NO = Output On With Obstruction  
NC = Output On Without Obstruction

### MECHANICAL DATA:

11. HOUSING	ABS PLASTIC BODY SIZE 50mm X16mm X55mm
12. MOUNTING	4mm Dia PAIR OF HOLES FOR WALL MOUNTING 62mm CROSSED
13. TERMINATION	Cu CABLE PVC INSULATED 3X0.34 Sq.mm.

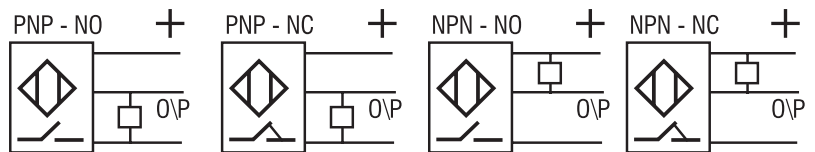
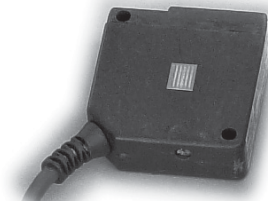
**\* Please contact factory for different MODELS.**

### PROTECTION FEATURES:

14. ENVIRONMENTAL	<b>IP55</b>
15. POLARITY REVERSAL	YES
16. OUTPUT	AGAINST INDEFINITE SHORT CIRCUIT

### CONNECTION DETAILS:

	<b>NO</b>	<b>NC</b>
BROWN	+V	0 V
BLACK	OUTPUT	OUTPUT
BLUE	0 V	+V



Specifications are subject to change without notice.