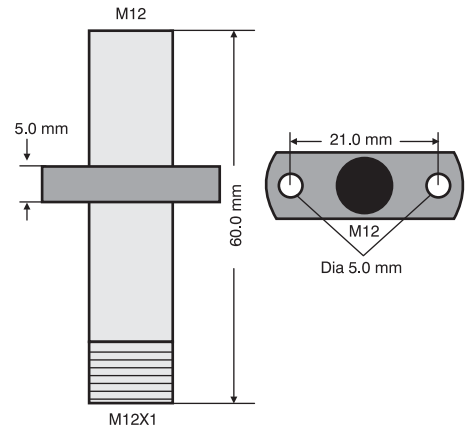


MAGNETO RESTRICTIVE SENSOR (SPECIAL BODY)

<=1mm FLUSH

OPERATIONAL DATA

1. MOUNTING IN METAL	FLUSH
2. SENSING DISTANCE	<=1mm
3. HYSTERESIS	3 % TO 15 %
4. REPEATABILITY	0.01 mm
5. TEMPERATURE DRIFT	<10%
6. AMB. TEMP. RANGE	-25 DEG. TO 75 DEG. C.



ELECTRICAL DATA:

7. OPERATING VOLTAGE	10 V TO 30 VDC
8. DROPOUT VOLTAGE	<=2V DC@ max. load current
9. SWITCHING FREQUENCY	0-25 KHz
10. LOAD CURRENT(MAXIMUM)	200 mA

ORDERING CODE: TYPE

PSMBB12PAFOCN12RSS	PNP/NO/200mA/FLUSH
PSMBB12NAFOCN12RSS	NPN/NO/200mA/FLUSH

MECHANICAL DATA:

11. HOUSING	BRASS BARREL
12. MOUNTING	Dia. 3mm PAIR OF HOLES 10.5 PCD FOR WALL MOUNTING
13. TERMINATION	M12 plug connector
14. AIR GAP	1 mm
15. GEAR MATERIAL	FERROUS METAL

PROTECTION FEATURES:

16. ENVIRONMENTAL	IP67
17. POLARITY REVERSAL	YES
18. OUTPUT	AGAINST INDEFINITE SHORT CIRCUIT

CONNECTION DETAILS:

PIN NO. OF MALE CONNECTOR	COLOUR CODE
1. (+Ve)	BROWN
2. (N.U.)	NOT USED
3. (-Ve)	BLUE
4. (OUTPUT)	BLACK

Recommended for the application subject to manufacturer's change time to time

** please contact factory for different barrel lengths

Specifications are subject to change without notice.

