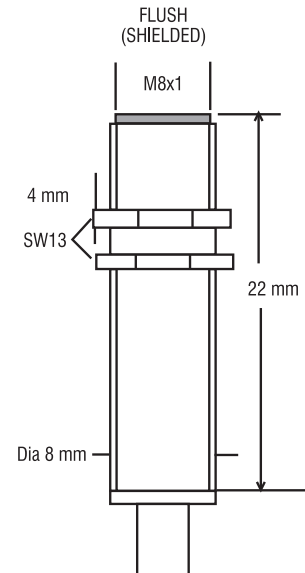


M8 NAMUR FOR BLOW ROOM

**1.5 mm
FLUSH**

OPERATIONAL DATA :

- | | |
|--|-----------------------|
| 1. MOUNTING IN METAL | FLUSH |
| 2. SWITCHING DISTANCE WITH
Fe-ST37 PLATE
SIZE 8mm X 8mm X 1 mm | 1.5mm (FLUSH) |
| 3. HYSTERESIS | 3% TO 15% |
| 4. REPEATABILITY | 0.01mm |
| 5. TEMPRATURE DRIFT | <10% |
| 6. AMB. TEMP.RANGE | 0 DEG.C. TO 70 DEG.C. |



ELECTRICAL DATA:

- | | | |
|--|---|-------------------|
| 7. NAMUR OPERATIONAL DATA | @ Vb=8.2V,
@ TEMP=20 DEG.C. | PSIBB08NRFOCB03RS |
| DIN19234/ IS 5780-1980
GR.I,IIA,IIB,IIC | Sensing Distance =
1.5mm F @I=1.8mA. | |
| 8. OPERATING VOLTAGE RANGE | 5V TO 15V ; R _L = 1 Kohm.
12V TO 24V ; R _L = 2Kohm. | |
| 9. RIPPLE | <10% | |
| 10. CURRENT CONSUMPTION | <=1mA.....ACTIVE FACE DAMPED
>= 4mA.....ACTIVE FACE UNDAMPED
10mA.....MAXIMUM | |
| 11. SWITCHING FREQUENCY | 3KHZ. | |

MECHANICAL DATA:

- | | |
|-----------------|---|
| 12. HOUSING | M8X1mm THREADED BRASS BARREL
Ni-CHROME PLATED |
| 13. MOUNTING | 8mm THRU HOLE FIXING BY M8X1mm
TAPPED PAIR OF NUTS |
| 14. TERMINATION | Cu CABLE PVC INSULATED 2X0.34 Sq.mm. |

PROTECTION FEATURES:

- | | |
|-------------------|-------------|
| 15. ENVIRONMENTAL | IP67 |
|-------------------|-------------|

CONNECTION DETAILS:

- | | |
|-------|----|
| BROWN | +V |
| BLUE | 0V |

Recommended for the application subject to manufacturer's change time to time.

**Please contact factory for different barrel lengths.

Specifications are subject to change without notice.