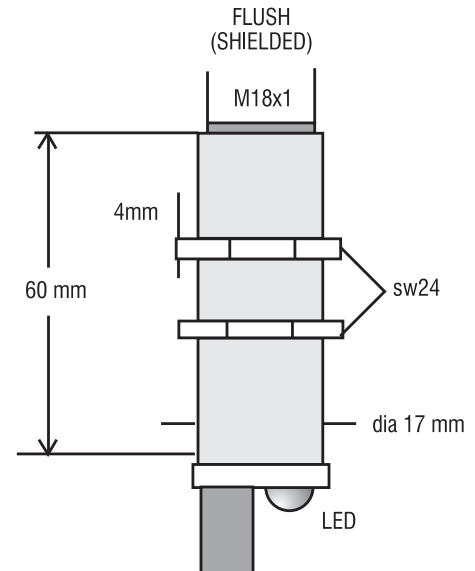


## M18 AC SENSOR FOR BLOW ROOM

**5 mm  
FLUSH**

### OPERATIONAL DATA :

- |   |                       |
|---|-----------------------|
| 1. MOUNTING IN METAL  | FLUSH                 |
| 2. SWITCHING DISTANCE WITH<br>Fe-ST37 PLATE SIZE<br>18mm X 18mm X 1mm | 5mm                   |
| 3. HYSTERESIS   | 3% TO 15%             |
| 4. REPEATABILITY  | 0.01mm                |
| 5. TEMPERATURE DRIFT  | <10%                  |
| 6. AMB. TEMP.RANGE  | 0 DEG.C. TO 70 DEG.C. |



### ELECTRICAL DATA:

- |                         |  |                     |
|-------------------------|--|---------------------|
| 7. OPERATING VOLTAGE    | 40 V~ ..... 250 V~ / 50Hz              | PSIBB18ACFOCB03RS # |
| 8. NO LOAD CURRENT      | <= 4mA                                 |                     |
| 9. DROPOUT VOLTAGE      | <= 8.5V~                               |                     |
| 10. SWITCHING FREQUENCY | 25 Hz                                  |                     |
| 11. LOAD CURRENT (max)  | <= 500 mA ~ (surge current 4A / 20 mS) |                     |
| 12. READYNESS DELAY     | 300 mS                                 |                     |

### OUR PART NO :

### MECHANICAL DATA:

- |                 |   |
|-----------------|---|
| 13. HOUSING     | M18X1mm THREADED<br>BRASS BARREL Ni-CHROME PLATED       |
| 14. MOUNTING    | 18mm THRU HOLE FIXING BY<br>M18X1mm TAPPED PAIR OF NUTS |
| 15. TERMINATION | Cu CABLE PVC-INSULATED 2X0.34 Sq.mm                     |

### PROTECTION FEATURES:

- |                   |             |
|-------------------|-------------|
| 15. ENVIRONMENTAL | <b>IP67</b> |
|-------------------|-------------|

### CONNECTION DETAILS:

BROWN ~  
BLUE ~

# Recommended for the application subject to manufacturer's change time to time.

\*\*Please contact factory for different barrel lengths.

Specifications are subject to change without notice.

