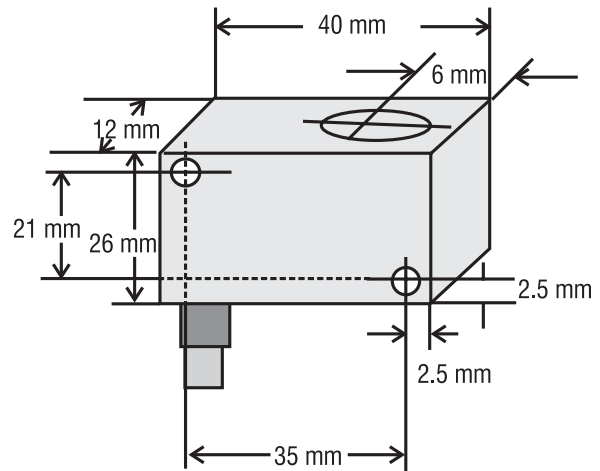


**RECTANGULAR LIMIT SWITCH FOR REITER DRAW FRAME SB2,
OPEN END RU14 & R1**

**4mm
UNSHIELDED**

OPERATIONAL DATA:

- | | |
|--|-----------------------|
| 1. INSTALLATION IN METAL | UNSHIELDED |
| 2. SWITCHING DISTANCE WITH Fe-ST37 PLATE
SIZE-12mm X 12mm X 1mm | 4mm(NON - FLUSH) |
| 3. HYSTERESIS | 3% TO 15% |
| 4. REPEATABILITY | 0.01mm |
| 5. TEMPERATURE DRIFT | <10% |
| 6. AMB. TEMP.RANGE | 0 DEG.C. TO 70 DEG.C. |



ELECTRICAL DATA:

- | | |
|-------------------------|------------------------|
| 7. OPERATING VOLTAGE | 10 V TO 30 VDC |
| 8. CURRENT CONSUMPTION | <20mA |
| 9. DROPOUT VOLTAGE | <1V @ max load current |
| 10. SWITCHING FREQUENCY | 1.5 KHz |
| 11. LOAD CURRENT (max) | 200mA |

OUR PART NO : Eqv. to REITER PART NO:

- | | |
|-------------------|--------------|
| PSIFT12PANOCB03RS | 0143 - 849 # |
| | 0150 - 601 # |
| | 0156 - 504 # |

MECHANICAL DATA:

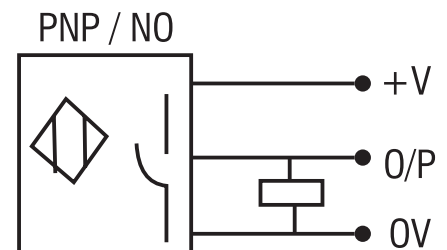
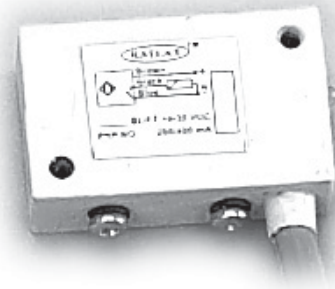
- | | |
|-----------------|---|
| 12. HOUSING | ABS PLASTIC BODY SIZE 40mm X 26mm X 12mm |
| 13. MOUNTING | Dia 3.2mm PAIR OF DIAGONALLY PLACED HOLES |
| 14. TERMINATION | Cu CABLE PVC INSULATED 3X0.34 Sq.mm. |

PROTECTION FEATURES:

- | | |
|-----------------------|----------------------------------|
| 15. ENVIRONMENTAL | IP67 |
| 16. POLARITY REVERSAL | YES |
| 17. OUTPUT | AGAINST INDEFINITE SHORT CIRCUIT |

CONNECTION DETAILS:

- | | |
|-------|--------|
| BROWN | +V |
| BLACK | OUTPUT |
| BLUE | 0V |



Recommended for the application subject to manufacturer's change time to time.

**Please contact factory for different barrel lengths.

Specifications are subject to change without notice.