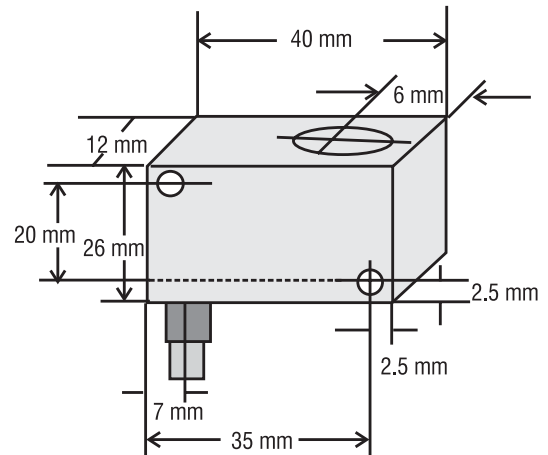


## RECTANGULAR LIMIT SWITCH FOR REITER OPEN END MACHINE R1

2mm  
FLUSH

### OPERATIONAL DATA :

1. MOUNTING IN METAL	FLUSH
2. SWITCHING DISTANCE WITH Fe-ST37 PLATE SIZE-12mm X 12mm X 1mm	2mm
3. HYSTERESIS	3% TO 15%
4. REPEATABILITY	0.01mm
5. TEMPERATURE DRIFT	<10%
6. AMB. TEMPRANGE	0 DEG.C. TO 70 DEG.C.



### ELECTRICAL DATA:

7. OPERATING VOLTAGE	10 V TO 30 VDC
8. OFF STATE CURRENT	<1.5 mA
9. DROPOUT VOLTAGE	<7V
10. SWITCHING FREQUENCY	800 Hz
11. LOAD CURRENT (max)	150 mA

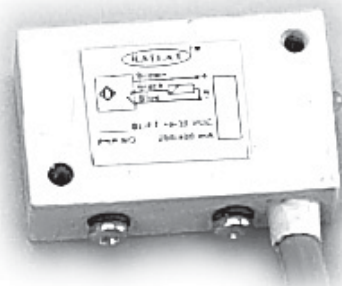
### OUR PART NO : Eqv. to REITER PART NO:

PSIFT12TWFOCB03RS 0156 - 803 #

12. HOUSING	PLASTIC BODY
13. MOUNTING	THRU HOLE FIXING
14. TERMINATION	Cu CABLE PVC INSULATED 3X0.34 Sq.mm.

15. ENVIRONMENTAL	<b>IP67</b>
16. POLARITY REVERSAL	YES

BROWN	+VE
BLUE	-VE



# Recommended for the application subject to manufacturer's change time to time.

\*\*Please contact factory for different barrel lengths.

Specifications are subject to change without notice.

