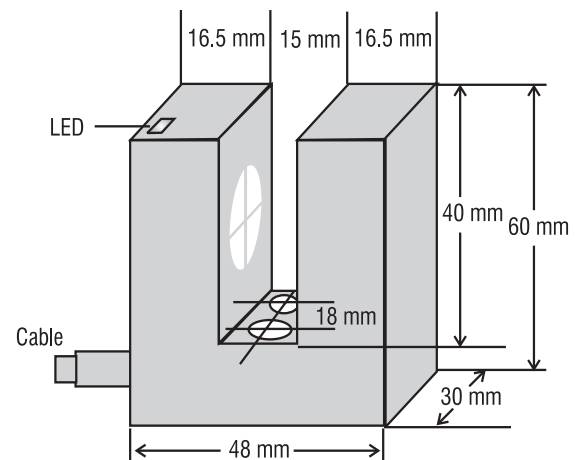


18SLOT INITIATOR FOR REITER OPEN END MACHINE RU14

OPERATIONAL DATA :

1. INSTALLATION IN METAL	NON-FLUSH
2. DIMENSIONS OF SLOT	10mm X 19mm
3. SWITCHING POINT with Fe-ST37 PLATE (30mm x 30mm x1mm)	60 % Insertion Depth
4. HYSTERESIS	3% TO 15%
5. REPEATABILITY	0.01mm
6. TEMPRATURE DRIFT	<10%
7. AMB. TEMP.RANGE	0 DEG.C. TO 70 DEG.C.



ELECTRICAL DATA:

8. OPERATING VOLTAGE	10 V TO 30 VDC
9. CURRENT CONSUMPTION	<20mA
10. DROPOUT VOLTAGE	<=1V
11. SWITCHING FREQUENCY	800 Hz
12. LOAD CURRENT (max)	200 mA

OUR PART NO : Eqv. to REITER PART NO:

PSIST18PANDCB03RS 0151 - 276 #

MECHANICAL DATA:

13. HOUSING	ABS PLASTIC BODY SIZE 44mm X 31mm X 19mm
14. MOUNTING	Dia 4mm PAIR OF HOLES FOR WALL MOUNTNG 8mm APART
15. TERMINATION	Cu CABLE PVC INSULATED 3X0.75 Sq.mm -2m LENGTH

PROTECTION FEATURES:

16. ENVIRONMENTAL	IP67
-------------------	-------------

CONNECTION DETAILS:

BROWN	+V
BLACK	OUTPUT
BLUE	0V



Recommended for the application subject to manufacturer`s change time to time.

**Please contact factory for different barrel lengths.

Specifications are subject to change without notice.