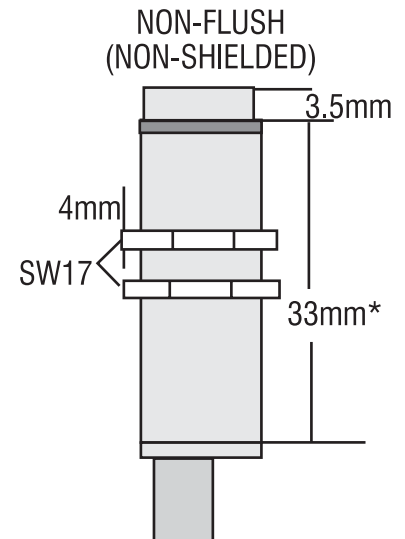


## 14X1 NAMUR FOR PICANOL AIR JET LOOM PAT A & W

4mm  
NON FLUSH

### OPERATIONAL DATA:

1. MOUNTING IN METAL	NON-FLUSH
2. SWITCHING DISTANCE WITH Fe/ST37-12mmX12mmX1mm	4mm
3. HYSTERESIS	3% TO 15%
4. REPEATABILITY	0.01mm
5. TEMPERATURE DRIFT	<10%
6. AMB. TEMP.RANGE	0 DEG.C. TO 70 DEG.C.



### ELECTRICAL DATA:

7. OPERATING VOLTAGE RANGE	5 V TO 15 V ; R <sub>L</sub> = 1 Kohm 12 V TO 24 V ; R <sub>L</sub> = 2 Kohm
10. SWITCHING FREQUENCY	1.5 KHz
11. RIPPLE	<10%

### ORDERING CODE    Eqv. to PICANOL PART NO:

PSIBB14NRNOCB03RS    BE - 22280 #

### MECHANICAL DATA:

12. HOUSING	M14 X 1 mm THREADED BRASS BARREL Ni-CHROME PLATED
13. MOUNTING	14 mm THRU HOLE FIXING BY M14 x 1mm TAPPED PAIR OF NUTS
14. TERMINATION	Cu CABLE PVC INSULATED 2X0.34 Sq.mm.

### PROTECTION FEATURES:

15. ENVIRONMENTAL	<b>IP67</b>
16. POLARITY REVERSAL	NO
17. OVERLOAD	NO

### CONNECTION DETAILS:

BROWN	+VE
BLUE	-VE



# Recommended for the application subject to manufacturer`s change time to time.

\*\*Please contact factory for different barrel lengths.

Specifications are subject to change without notice.