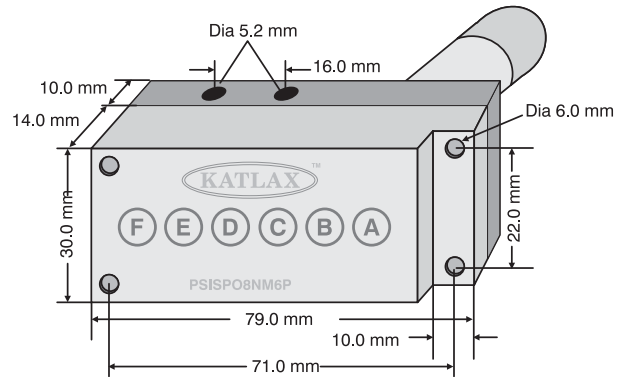


INDUCTIVE CODE READER 6 HEAD (ANGLE SENSOR)

**2mm
SHIELDED**

OPERATIONAL DATA

- | | |
|----------------------------|----------------------|
| 1. MOUNTING IN METAL | SHIELDED |
| 2. SENSING DISTANCE | 2 mm |
| With Fe/ST - 10mmX10mmX1mm | |
| 3. HYSTERESIS | 1% TO 20 % |
| 4. AMB. TEMP. RANGE | 0 DEG. TO 60 DEG. C. |



ELECTRICAL DATA:

- | | |
|---|--|
| 5. NAMUR OPERATIONAL DATA | @ Vb = 8.2 V, @ TEMP = 20 DEG. C. |
| DIN 19324/ IS 5780 - 1980 Gr. I, IIA, IIB, IIC | Sensing Distance = 2 mm |
| 6. OPERATING VOLTAGE RANGE | 5V TO 15V ; R _L = 1Kohm 12V TO 24V ; R _L = 2 Kohm |
| 7. RIPPLE | < 10% |
| 8. CURRENT CONSUMPTION | <= 1.1 mA ACTIVE FACE DAMPED >= 10 mA ACTIVE FACE UNDAMPED 20 mA MAXIMUM |
| 9. SWITCHING FREQUENCY | 2 KHz |

ORDERING CODE: TYPE

PSISPO8NM6N 6HEADS/FLUSH/2mm

MECHANICAL DATA:

- | | |
|-----------------|--|
| 10. HOUSING | ENGINEERING PLASTIC BODY Size:-79mm X 30mm X 14mm |
| 11. MOUNTING | Dia. 6mm FOUR THRU HOLES FOR WALL MOUNTING |
| 12. TERMINATION | Cu CABLE PVC INSULATED 7X0.34 Sq. mm |



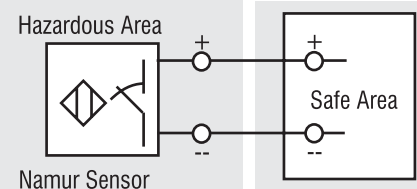
PROTECTION FEATURES:

- | | |
|-------------------|---|
| 13. ENVIRONMENTAL | IP67 (tested and certified by CMRI, Dhanbad) |
|-------------------|---|

Certified for Intrinsically Safe area application as per Indian Standard IS 5780-1980 Gr I, IIA, IIB, IIC, equivalent to DIN 19234 / EN 50020 by CMRI, Dhanbad.

CONNECTION DETAILS:

- | | |
|--------|------|
| WHITE | + Ve |
| BLUE | A |
| ORANGE | B |
| GREY | C |
| YELLOW | D |
| GREEN | E |
| BROWN | F |



Specifications are subject to change without notice.