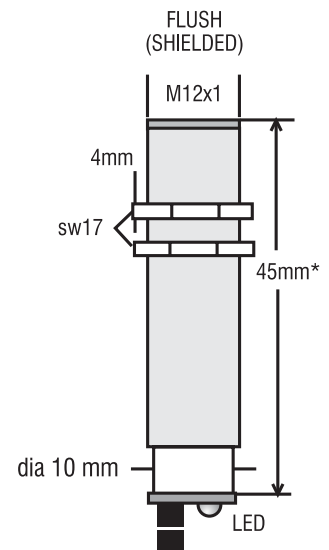


M12DC INDUCTIVE PROXIMITY SWITCH/SENSOR FOR VOUK-SH 22 CARDING MACHINE

2mm
FLUSH

OPERATIONAL DATA:

- | | |
|----------------------|-----------------------------|
| 1. MOUNTING IN METAL | FLUSH |
| 2. SENSING DISTANCE | 2mm(FLUSH) |
| | with Fe/ST37 -12mmX12mmX1mm |
| 3. HYSTERESIS | 3% TO 15% |
| 4. REPEATABILITY | 0.01mm |
| 5. TEMPERATURE DRIFT | <10% |
| 6. AMB. TEMP. RANGE | 0 DEG.C. TO 70 DEG.C. |



ELECTRICAL DATA:

- | | |
|----------------------------|------------------------|
| 7. OPERATING VOLTAGE | 10 V TO 30 VDC |
| 8. CURRENT CONSUMPTION | <20mA |
| 9. DROPOUT VOLTAGE | <1V @ max load current |
| 10. SWITCHING FREQUENCY | 1.5 KHz |
| 11. LOAD CURRENT (MAXIMUM) | 200mA |

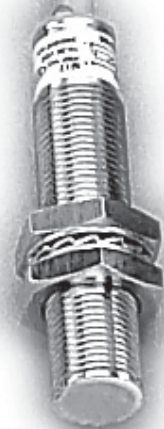
ORDERING CODE:

Eqv. to Vouk M/C

PSIBB12NAFOCB03RS 080065174 #
NPN/NO/200mA/FLUSH

MECHANICAL DATA:

- | | |
|-----------------|---|
| 12. HOUSING | M12 X 1mm THREADED
BRASS BARREL Ni-CHROME PLATED |
| 13. MOUNTING | 12 mm THRU HOLE FIXING BY
M12 X1mm TAPPED PAIR OF NUTS |
| 14. TERMINATION | Cu CABLE PVC INSULATED
3X0.34 Sq.mm |



PROTECTION FEATURES:

- | | |
|-----------------------|--|
| 15. ENVIRONMENTAL | IP67(tested & certified by CMRI, Dhanbad.) |
| 16. POLARITY REVERSAL | YES |
| 17. OUTPUT | AGAINST INDEFINITE SHORT CIRCUIT |

CONNECTION DETAILS:

- | | |
|-------|--------|
| BROWN | +V |
| BLACK | OUTPUT |
| BLUE | 0 V |

Recommended for the application subject to manufacturer's change time to time.

**Please contact factory for different barrel lengths.

Specifications are subject to change without notice.

