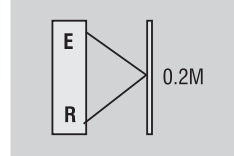
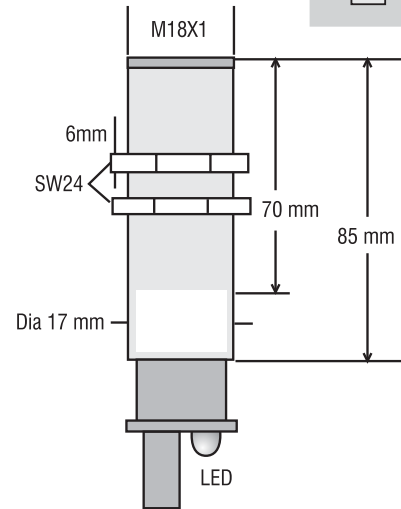


## M18 REFLEX OPTICAL SENSOR / SWITCH FOR CROSS-ROLL CARDING MACHINE (SLIVER-BREAK SENSOR)



### OPERATIONAL DATA:

- |                     |                         |
|---------------------|-------------------------|
| 1. FUNCTION         | DIFFUSED REFLECTION     |
| 2. SENSING RANGE    | 0.2m.....DIFFUSION MODE |
| 3. OUTPUT           | NPN NO OR NC            |
| 4. INDICATION       | LED FOR OUTPUT ON       |
| 5. AMB. TEMP. RANGE | 0 DEG.C. TO 70 DEG.C.   |



### ELECTRICAL DATA:

- |                            |                        |
|----------------------------|------------------------|
| 6. OPERATING VOLTAGE       | 10 V TO 30 VDC         |
| 7. CURRENT CONSUMPTION     | 50mA                   |
| 8. DROPOUT VOLTAGE         | <2V @ max load current |
| 9. SWITCHING FREQUENCY     | 100 Hz                 |
| 10. LOAD CURRENT (MAXIMUM) | 200mA                  |

### OUR PART NO : Eqv. to CROSS-ROLL CARDING MACHINE

PSPBB18NARXCB03RS NPN/200mA/REFLEX/NO OR NC#

NO => Output On With Obstruction  
 NC => Output On Without Obstruction

### MECHANICAL DATA:

- |                 |  |
|-----------------|--|
| 11. HOUSING     | M18 X 1mm THREADED<br>BRASS BARRELS<br>Ni-CHROME PLATED        |
| 12. MOUNTING    | Dia 18 mm THRU HOLE FIXING<br>BY M18 x1 mm TAPPED PAIR OF NUTS |
| 13. TERMINATION | Cu CABLE PVC INSULATED 3X0.34 Sq.mm.                           |



### PROTECTION FEATURES:

- |                       |                                  |
|-----------------------|----------------------------------|
| 14. ENVIRONMENTAL     | <b>IP67</b>                      |
| 15. POLARITY REVERSAL | YES                              |
| 16. OUTPUT            | AGAINST INDEFINITE SHORT CIRCUIT |

### CONNECTION DETAILS:

- |       |        |
|-------|--------|
| BROWN | +V     |
| BLACK | OUTPUT |
| BLUE  | 0 V    |

# Recommended for the application subject to manufacturer's change time to time.

\*\*Please contact factory for different barrel lengths.

Specifications are subject to change without notice.

