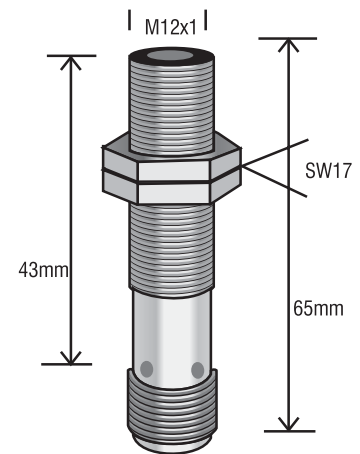


INITIATOR FOR SCHLAFHORTS AUTOCORO MACHINE - 240

**<= 1mm
FLUSH**

OPERATIONAL DATA:

- | | |
|------------------------------|-------------|
| 1. MOUNTING IN METAL | FLUSH |
| 2. SENSING DISTANCE | <= 1mm |
| 3. SWITCHING FREQUENCY RANGE | 0 - 25KHz. |
| 4. TEMPERATURE RANGE | -25...+75°C |
| 5. TEMPERATURE DRIFT | <10% |



LED 4 @ 90 DEG

ELECTRICAL DATA:

- | | |
|--------------------------|---------------|
| 7. OPERATING VOLTAGE | 6 V TO 30 VDC |
| 8. SUPPLY CURRENT | <20mA |
| 9. MAX SWITCHING CURRENT | <25mA |
| 10. VOLTAGE DROP | 2V DC |

OUR PART NO. Eqv. to Schlafhorts machine

PSHBB14PAFOCN12RS 117343786 for
Schlafhorts Autocoro
Machine

MECHANICAL DATA:

- | | |
|-------------------|---|
| 12. HOUSING | M 14 X 1mm THREADED BRASS
BARREL Ni-CHROME PLATED |
| 13. MOUNTING | 14 mm THRU HOLE FIXING BY
M14 X1mm TAPPED PAIR OF NUTS |
| 14. TERMINATION | M12 PLUG CONNECTOR |
| 15. AIR GAP | 1mm |
| 16. GEAR MATERIAL | FERROUS METAL |

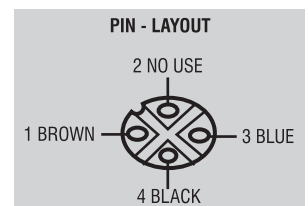


PROTECTION FEATURES:

- | | |
|-----------------------|----------------------------------|
| 17. ENVIRONMENTAL | IP67 |
| 18. POLARITY REVERSAL | YES |
| 19. OUTPUT | AGAINST INDEFINITE SHORT CIRCUIT |

CONNECTION DETAILS:

PIN NO OF MALE CONNECTOR	COLOUR CODE FOR MATCHING ASSEMBLY (SOCKET)
1 (+Ve)	BROWN
2 (N.U.)	NOT USED.
3 (-Ve)	BLUE
4 (OUTPUT)	BLACK



Recommended for the application subject to manufacturer's change time to time.

**Please contact factory for different barrel lengths.

Specifications are subject to change without notice.

