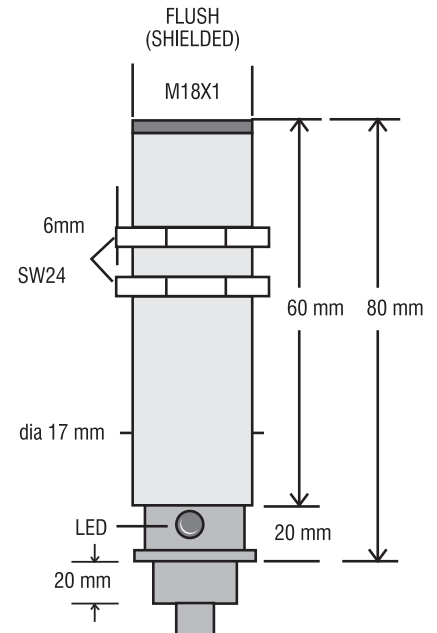


## M18DC SENSOR FOR CARDING MACHINE

**5 mm  
FLUSH**

### OPERATIONAL DATA :

- |  |                       |
|--|-----------------------|
| 1. MOUNTING IN METAL   | FLUSH                 |
| 2. SWITCHING DISTANCE WITH Fe-ST37 PLATE<br>SIZE-18mm X 18mm X 1mm | 5mm(FLUSH)            |
| 3. HYSTERESIS  | 3% TO 15%             |
| 4. REPEATABILITY   | 0.01mm                |
| 5. TEMPRATURE DRIFT  | <10%                  |
| 6. AMB. TEMP.RANGE   | 0 DEG.C. TO 70 DEG.C. |



### ELECTRICAL DATA:

- |                         |                        |
|-------------------------|------------------------|
| 7. OPERATING VOLTAGE    | 10 V TO 30 VDC         |
| 8. CURRENT CONSUMPTION  | <20 mA                 |
| 9. DROPOUT VOLTAGE      | <1V @ max load current |
| 10. SWITCHING FREQUENCY | 800 Hz                 |
| 11. LOAD CURRENT (max)  | 200mA                  |

### OUR PART NO :

PSIBB18PAFOCB03RSC #  
\*with cable protector

### MECHANICAL DATA:

- |                 |   |
|-----------------|---|
| 12. HOUSING     | M18X1mm THREADED BRASS<br>BARREL Ni-CHROME PLATED           |
| 13. MOUNTING    | 18 mm THRU HOLE FIXING<br>BY M18X1mm TAPPED PAIR<br>OF NUTS |
| 14. TERMINATION | Cu CABLE PVC INSULATED 3X0.34 Sq.mm.                        |

### PROTECTION FEATURES:

- |                       |  |
|-----------------------|--|
| 15. ENVIRONMENTAL     | <b>IP67</b> (tested & certified by CMRI, Dhanbad.) |
| 16. POLARITY REVERSAL | YES  |
| 17. OUTPUT            | AGAINST INDEFINITE SHORT CIRCUIT                   |

### CONNECTION DETAILS:

- |       |        |
|-------|--------|
| BROWN | +V     |
| BLACK | OUTPUT |
| BLUE  | 0V     |

# Recommended for the application subject to manufacturer's change time to time.

\*\*Please contact factory for different barrel lengths.

Specifications are subject to change without notice.

