



Product may differ from image

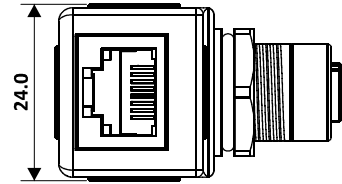
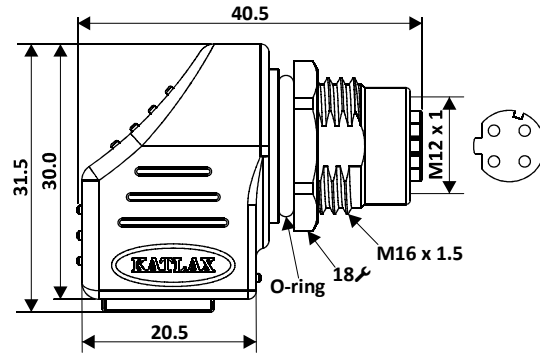
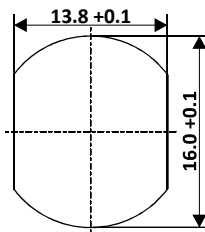
**General Specification**

Rated Operational Voltage	120 V AC
Current Rating	1.5 A
Insulation Resistance	≥100 MΩ
Temperature Range	0°C ... +70°C
Degree of Protection	M12 = IP67 / RJ45 = IP20
Coding	D-coded

**Material Specification**

	M12	RJ45
Grip Material	PU	PBT
Contact	Cu-Zn	Copper Alloy
Contact Plating	Gold Flash	Gold Flash
Contact Carrier	Nylon 66	
O-Ring	Neoprene	
Grip Colour	Black	
Coupling Nut	Brass Nickel-Plated	

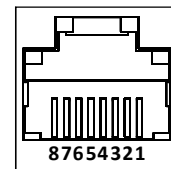
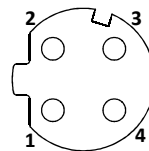
**Recommended Panel Cutout**



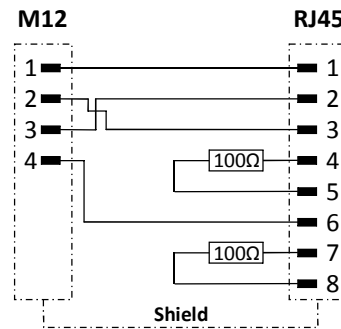
All dimensions are in mm.

M12 Female Angled to RJ45

**Pin Assignment**



**Wiring Diagram**



Type Approved  
Safety  
Regular Production  
Surveillance  
www.tuv.com  
ID 1111210483



future sense

\*Testing Under Progress at TUV Rheinland.

Specifications are subject to change without notice.