

M12 Female Straight to RJ45

Product may differ from image

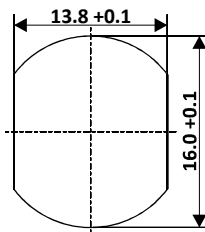
General Specification

Rated Operational Voltage	120 V AC
Current Rating	1.5 A
Insulation Resistance	≥100 MΩ
Temperature Range	0°C ... +70°C
Degree of Protection	M12 = IP67 / RJ45 = IP20
Coding	D-coded

Material Specification

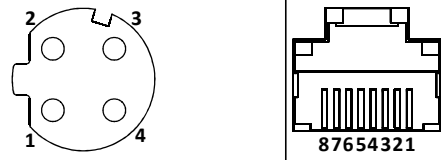
	M12	RJ45
Grip Material	PU	PBT
Contact	Cu-Zn	Copper Alloy
Contact Plating	Gold Flash	Gold Flash
Contact Carrier	Nylon 66	
O-Ring	Neoprene	
Grip Colour	Black	
Coupling Nut	Brass Nickel-Plated	

Recommended Panel Cutout

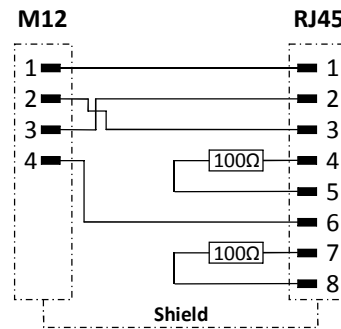


All dimensions are in mm.

Pin Assignment



Wiring Diagram



future sense

*Testing Under Progress at TUV Rheinland.

Specifications are subject to change without notice.