



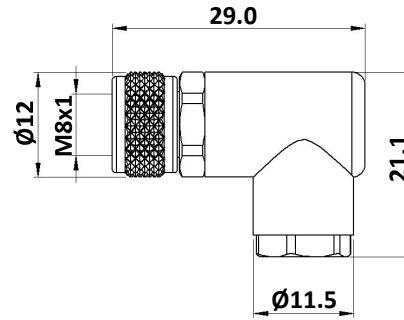
Product may differ from image

General Specification

Rated Operational Voltage	30 V
Current Rating	3A
Insulation Resistance	>= 100 MΩ
Temperature Range	-25°C ... +75°C
Degree of Protection	IP67

Material Specification

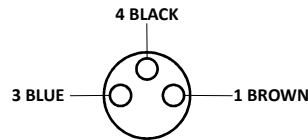
Grip Material	Nylon 66
Contact	Cu-Zn
Contact Plating	Gold Flash
Contact Carrier	Nylon 66
O-Ring	Neoprene
Grip Colour	Black
Termination	Screw
Pole	3
Cable Gland	PG5
Coupling Nut	Brass Nickel-plated



All dimensions are in mm.

M08 Female Right Angle

Pin Diagram



***Accessories**

Recommended screw driver:

Part no. 2250632 (Art. 3675.025)

Make: Corolus



**Accessories are not in our scope of supply.*



Specifications are subject to change without notice.