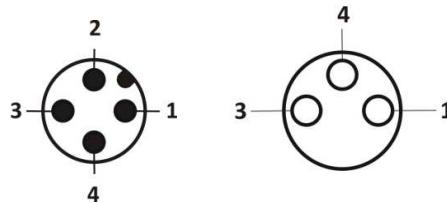
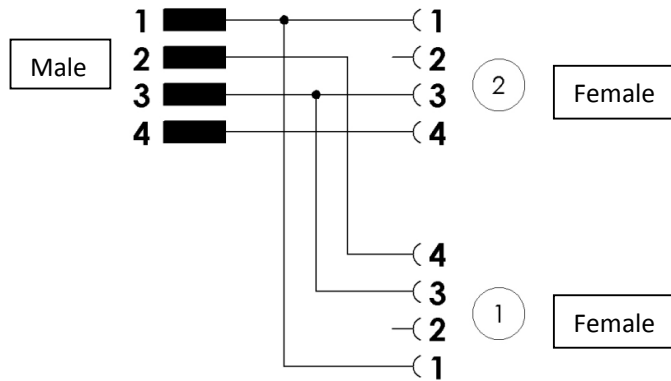


### Technical Specification

	I/P End	O/P 1	O/P 2
Connector	M12, Male	M8, Female	M8, Female
Rated Voltage	60V	60V	60V
Coding	A	A	A
Number of pins	4	3	3
Current (at 40°C)	3A	3A	3A
Contact material	CuZn, Ni/Au (Gold Flash)	CuZn, Ni/Au (Gold Flash)	CuZn, Ni/Au (Gold Flash)
Contact carrier material	Nylon 66	Nylon 66	Nylon 66
Coupling nut material	CuZn, nickel plated	CuZn, nickel plated	CuZn, nickel plated
Insulation resistance	≥10 <sup>8</sup> Ω		
Ambient temperature	-25°C...+85°C		
Sealing material	Neoprene		
Grip body material	TPU, Black		
Shielding	No		
Mechanical life-cycle	>100 mating cycles		
Degree of protection	IP67		
Degree of pollution	3		
Standards	IEC 61076-2-101/104		
Cable Length L	1m		

Specifications are subject to change without notice.

Electrical connection



Specifications are subject to change without notice.



Type Approved  
Safety  
Regular Production  
Surveillance



www.tuv.com  
ID 1111210483