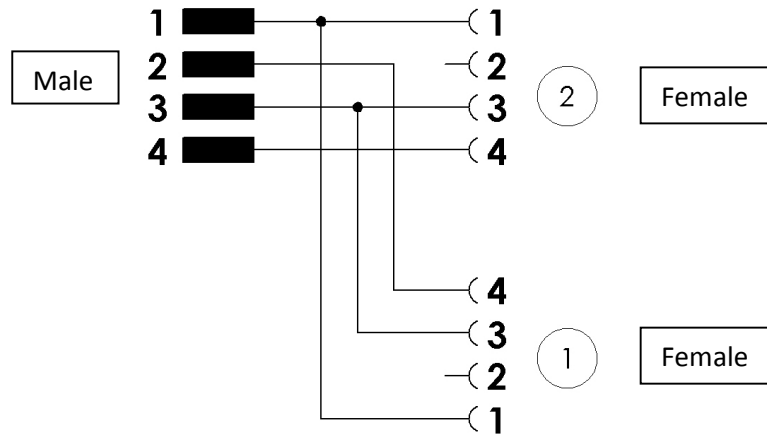


### Technical Specification

	I/P End	O/P 1	O/P 2
<b>Connector</b>	M12, Male	M12, Female	M12, Female
<b>Rated Voltage</b>	250V	250V	250V
<b>Coding</b>	A	A	A
<b>Number of pins</b>	4	3	3
<b>Current (at 40°C)</b>	4A	4A	4A
<b>Contact material</b>	CuZn, Ni/Au (Gold Flash)	CuZn, Ni/Au (Gold Flash)	CuZn, Ni/Au (Gold Flash)
<b>Contact carrier material</b>	Nylon 66	Nylon 66	Nylon 66
<b>Coupling nut material</b>	CuZn, nickel plated	CuZn, nickel plated	CuZn, nickel plated
<b>Insulation resistance</b>	$\geq 10^8 \Omega$		
<b>Ambient temperature</b>	-25°C...+85°C		
<b>Sealing material</b>	Neoprene		
<b>Grip body material</b>	TPU, Black		
<b>Shielding</b>	No		
<b>Mechanical life-cycle</b>	>100 mating cycles		
<b>Degree of protection</b>	IP67		
<b>Degree of pollution</b>	3		
<b>Standards</b>	IEC 61076-2-101		

Specifications are subject to change without notice.

Electrical connection



Specifications are subject to change without notice.



Type Approved  
Safety  
Regular Production  
Surveillance



www.tuv.com  
ID 111210483