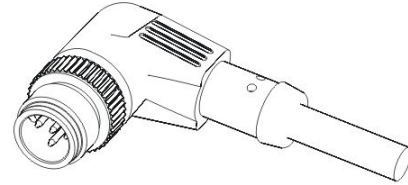
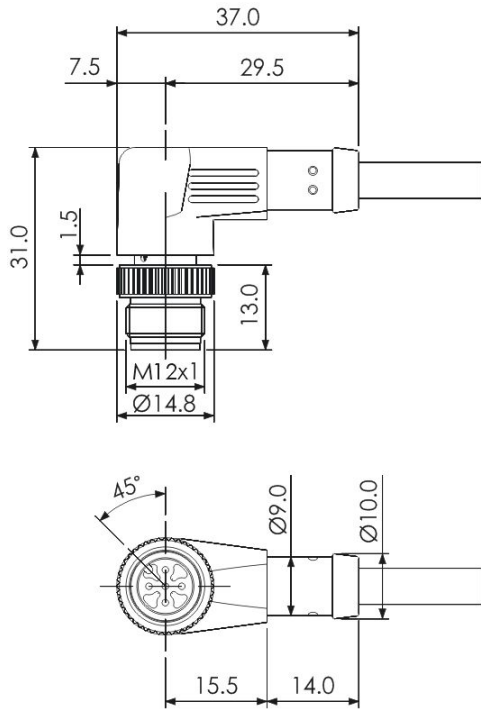


Item No.	TSP0000003D	Date	01.01.2017
		Revision	00
Description	Connectors M12x1, Pre-wired, Male/Plug, A-Coding, Straight and Right Angle Jacket	Page	1 of 4



All dimensions are in mm.

Table-1

M12x1 Pre-wired Plug, A-coding, Angled Jacket

Number of poles/ wires	Length m ¹⁾	Shielded	Connections	Conductor	Katlax Item No.
4/4	2	-	1-4	0.25mm ²	CBM12-R44N0-02BPVC
4/4	3	-	1-4	0.25mm ²	CBM12-R44N0-03BPVC

- 1) Free length without socket housing.
- 2) Apply shield on the knurl nut.
- 3) Cable sheath material PUR.
- 4) Cable sheath colour Grey.



Type Approved
Safety
Regular Production
Surveillance

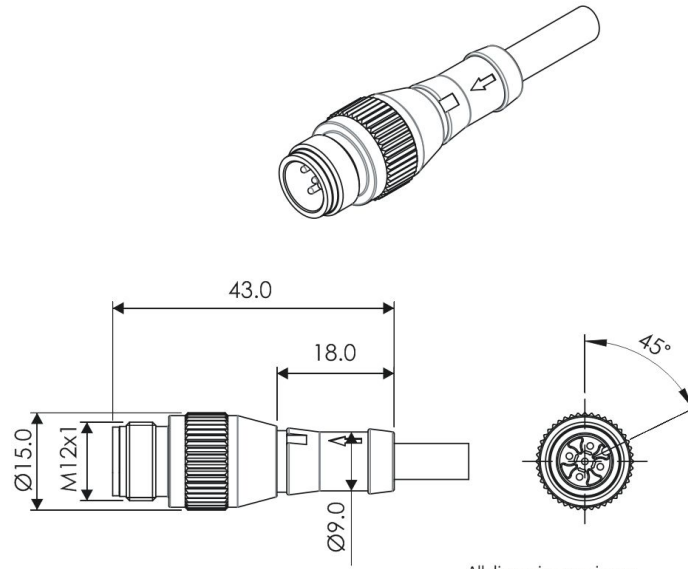


www.tuv.com
ID 1111210483



Specifications are subject to change without notice.

Item No.	TSP0000003D	Date	01.01.2017
		Revision	00
Description	Connectors M12x1, Pre-wired, Male/Plug, A-Coding, Straight and Right Angle Jacket	Page	2 of 4



All dimensions are in mm.

Table-2

M12x1 Pre-wired Plug, A-coding, Straight Jacket

Number of poles/ wires	Length m ¹⁾	Shielded	Connections	Conductor	Katlax Item No.
4/4	0.3	-	1-4	0.25mm ²	CBM12-S44N0-0.3BPVC
4/4	2	-	1-4	0.25mm ²	CBM12-S44N0-02BP25
4/4	2	-	1-4	0.34mm ²	CBM12-S44N0-02BP34
4/4	2	-	1-4	0.34mm ²	CBM12-S44N0-02BPUR
4/4	2	-	1-4	0.25mm ²	CBM12-S44N0-02BPVC
4/4	3	-	1-4	0.25mm ²	CBM12-S44N0-03BPVC
4/4	5	-	1-4	0.25mm ²	CBM12-S44N0-05BP25
4/4	1.5	-	1-4	0.25mm ²	CBM12-S44N0-1.5BPVC
4/4	3	X	1-4	0.25mm ²	CBM12-S44S0-03BPVC
4/4	5	-	1-4	0.25mm ²	CBM12-S44N0-05BPVC
5/5	2	-	1-5	0.34mm ²	CBM12-S55N0-02BP34
5/5	2	-	1-5	0.25mm ²	CBM12-S55N0-02BPVC
8/8	1	-	1-8	0.25mm ²	CBM12-S88N0-01BPVC
8/8	2	-	1-8	0.25mm ²	CBM12-S88N0-02BPVC
8/8	4	-	1-8	0.25mm ²	CBM12-S88N0-04BPVC
8/8	3	-	1-8	0.25mm ²	CBM12-S88N0-03BPVC
8/8	5	-	1-8	0.25mm ²	CBM12-S88N0-05BPUR



Type Approved
Safety
Regular Production
Surveillance



www.tuv.com
ID 111210483



Specifications are subject to change without notice.

Item No.	TSP000003D	Date	01.01.2017
		Revision	00
Description	Connectors M12x1, Pre-wired, Male/Plug, A-Coding, Straight and Right Angle Jacket	Page	3 of 4

- 1) Free length without socket housing.
- 2) Apply shield on the knurl nut.
- 3) Cable sheath material PUR.
- 4) Cable sheath colour Grey.

Table-3

Connection details

Contact / Pole	Pin / Colour (Continuously)	Contact / Pole	Pin / Colour (Continuously)	Contact / Pole	Pin / Colour (Continuously)	Contact / Pole	Pin / Colour (Continuously)
1	1 / Brown	1	1 / Brown	1	1 / Brown	1	1 / White
3	3 / Blue	2	2 / White	2	2 / White	2	2 / Brown
4	4 / Black	3	3 / Blue	3	3 / Blue	3	3 / Green
		4	4 / Black	4	4 / Black	4	4 / Yellow
				5	5 / Grey	5	5 / Grey
						6	6 / Pink
						7	7 / Blue
						8	8 / Red

3 BLUE — 1 BROWN
4 BLACK

2 WHITE
3 BLUE — 1 BROWN
4 BLACK

2 WHITE
3 BLUE — 1 BROWN
4 BLACK
5 GREY

2 BROWN
1 WHITE
8 RED
7 BLUE
6 PINK
5 GREY
4 YELLOW
3 GREEN

Table – 4

Cable length tolerance

≤0.3 m	+25 mm -0 mm
>0.3 m – 1.5 m	+50 mm -0 mm
>1.5 m – 3.0 m	+100 mm -0 mm
>3.0 m – 7.5 m	+150 mm -0 mm
>7.5 m	+5% -0%



Type Approved
Safety
Regular Production
Surveillance



www.tuv.com
ID 1111210483



Specifications are subject to change without notice.

Item No.	TSP0000003D	Date	01.01.2017
		Revision	00
Description	Connectors M12x1, Pre-wired, Male/Plug, A-Coding, Straight and Right Angle Jacket	Page	4 of 4

Execution	IEC / EN	
Locking	Screw with external threads. Locking screw material: Brass (CuZn), Nickel Plated	
Jacket	PU (Polyurethane), Black colour standard	
Plug/Socket pin carrier	Nylon or PA (Polyamide)	
Encoding	A - Coding	
Pole/Cores	See Tables on Page 1 and 2	
Cable	3x0.25mm ² PVC Shielded/Unshielded 3x0.34mm ² PVC Unshielded 3x0.34mm ² PUR Shielded/Unshielded 4x0.25mm ² PVC Shielded/Unshielded 4x0.34mm ² PVC Shielded/Unshielded 4x0.34mm ² PUR Unshielded 5x0.34mm ² PVC Shielded/Unshielded 5x0.34mm ² PUR Unshielded	8x0.25mm ² PVC Shielded/Unshielded 8x0.25mm ² PUR Shielded 2x0.5mm ² PVC Unshielded 3x0.5mm ² PVC Shielded/Unshielded 4x0.5mm ² PVC Shielded/Unshielded 3x0.75mm ² PVC Unshielded 4x0.75mm ² PVC Unshielded
Braided shield / cover	Min. 80% 3x / 4x0.34mm ²	
Lead Shielding	Shield on the knurl nut	
Cable sheath	PVC or PUR, Black colour standard	
Cable length tolerance	See Table - 4	
Contact material	Plug: Brass (CuZn)	
Contact Surface	Gold flash	
Rated Voltage (IEC 60664-1)	3, 4 Poles 250 V AC/DC 5 Poles 60 V AC/DC 8 Poles 30 V AC/DC	
Current carrying capacity (IEC 60512-3-5d)	2 to 5 Poles = 4A 6 to 8 Poles = 2A	
Contact resistance (IEC 60512-2-2a)	As per manufacturer specification	
Insulation resistance (IEC 60512-2-3a)	As per manufacturer specification	
Mating cycles (IEC 60512-5-9a)	≥100	
Protection (IEC 60529)	IP67 (when plugged in)	
Pollution degree (IEC 60664-1)	3	
Test voltage (IEC 60664-1)	As per IEC/EN 61076-2-101	



Type Approved
Safety
Regular Production
Surveillance

www.tuv.com
ID 1111210483



Specifications are subject to change without notice.